

# PHILIPPINE INTERNATIONAL CONVENTION CENTER



## BIDDING DOCUMENTS (INFRASTRUCTURE PROJECTS)

**PROJECT TITLE** : **SUPPLY OF LABOR AND MATERIALS FOR  
THE REHABILITATION OF THE ROOF OF  
MEETING ROOM I**

**ABC** : **Php16,968,890.21**

**Reference** : **APP No. 2024 – MC – 14**

**ITB-2024**  
**March 13, 2024**

# TABLE OF CONTENTS

<b>Glossary of Terms, Abbreviations, and Acronyms</b> .....	<b>4</b>
<b>Section I. Invitation to Bid</b> .....	<b>7</b>
<b>Section II. Instruction to Bidders</b> .....	<b>10</b>
1. Scope of Bid .....	11
2. Funding Information .....	11
3. Bidding Requirements .....	11
4. Corrupt, Fraudulent, Collusive.....	11
5. Eligible Bidders.....	12
6. Origin of Associated Goods.....	12
7. Subcontracts .....	12
8. Pre-bid Conference .....	13
9. Clarification and Amendments of Bidding Documents .....	13
10. Documents Comprising the Bid: Eligibility and Technical Component .....	13
11. Documents Comprising the Bid: Eligibility and Technical Component .....	14
12. Alternative Bids .....	14
13. Bid Prices .....	14
14. Bid and Payment Currencies .....	14
15. Bid Security .....	15
16. Sealing and Marking of Bids .....	15
17. Deadline for Submission of Bids .....	15
18. Opening and Preliminary Examinations of Bids .....	15
19. Detailed Evaluation and Comparison of Bids .....	15
20. Post Qualification .....	16
21. Signing of the Contract .....	16
<b>Section III. Bid Data Sheet</b> .....	<b>17</b>
<b>Section IV. General Conditions of Contract</b> .....	<b>22</b>
1. Scope of Contract .....	23
2. Sectional Completion of Works.....	23
3. Possession of Site .....	23
4. The Contractor’s Obligation .....	23
5. Performance Security .....	24

6. Site Investigation Reports .....	24
7. Warranty .....	24
8. Liability of the Contract .....	24
9. Termination for other Causes .....	24
10. Dayworks .....	24
11. Program of Works .....	25
12. Instructions, Inspections and Audits .....	25
13. Advance Payments .....	25
14. Progress Payments .....	25
15. Operating and Maintenance Manuals .....	25
<b>Section V. Special Conditions of Contract .....</b>	<b>26</b>
<b>Section VI. Specifications .....</b>	<b>30</b>
<b>Section VII. Drawings .....</b>	<b>38</b>
<b>Section VIII. Bill of Quantities.....</b>	<b>45</b>
<b>Section IX. Checklist of Technical and Financial Documents .....</b>	<b>36</b>

# *Glossary of Terms, Abbreviations, and Acronyms*

**ABC** – Approved Budget for the Contract.

**ARCC** – Allowable Range of Contract Cost.

**BAC** – Bids and Awards Committee.

**Bid** – A signed offer or proposal to undertake a contract submitted by a bidder in response to and in consonance with the requirements of the bidding documents. Also referred to as *Proposal* and *Tender*. (2016 revised IRR, Section 5[c])

**Bidder** – Refers to a contractor, manufacturer, supplier, distributor and/or consultant who submits a bid in response to the requirements of the Bidding Documents. (2016 revised IRR, Section 5[d])

**Bidding Documents** – The documents issued by the Procuring Entity as the bases for bids, furnishing all information necessary for a prospective bidder to prepare a bid for the Goods, Infrastructure Projects, and/or Consulting Services required by the Procuring Entity. (2016 revised IRR, Section 5[e])

**BIR** – Bureau of Internal Revenue.

**BSP** – Bangko Sentral ng Pilipinas.

**CDA** – Cooperative Development Authority.

**Consulting Services** – Refer to services for Infrastructure Projects and other types of projects or activities of the GOP requiring adequate external technical and professional expertise that are beyond the capability and/or capacity of the GOP to undertake such as, but not limited to: (i) advisory and review services; (ii) pre-investment or feasibility studies; (iii) design; (iv) construction supervision; (v) management and related services; and (vi) other technical services or special studies. (2016 revised IRR, Section 5[i])

**Contract** – Refers to the agreement entered into between the Procuring Entity and the Supplier or Manufacturer or Distributor or Service Provider for procurement of Goods and Services; Contractor for Procurement of Infrastructure Projects; or Consultant or Consulting Firm for Procurement of Consulting Services; as the case may be, as recorded in the Contract Form signed by the parties, including all attachments and appendices thereto and all documents incorporated by reference therein.

**Contractor** – is a natural or juridical entity whose proposal was accepted by the Procuring Entity and to whom the Contract to execute the Work was awarded. Contractor as used in these Bidding Documents may likewise refer to a supplier, distributor, manufacturer, or consultant.

**CPI** – Consumer Price Index.

**DOLE** – Department of Labor and Employment.

**DTI** – Department of Trade and Industry.

**Foreign-funded Procurement or Foreign-Assisted Project** – Refers to procurement whose funding source is from a foreign government, foreign or international financing institution as specified in the Treaty or International or Executive Agreement. (2016 revised IRR, Section 5[b]).

**GFI** – Government Financial Institution.

**GOCC** – Government-owned and/or –controlled corporation.

**Goods** – Refer to all items, supplies, materials and general support services, except Consulting Services and Infrastructure Projects, which may be needed in the transaction of public businesses or in the pursuit of any government undertaking, project or activity, whether in the nature of equipment, furniture, stationery, materials for construction, or personal property of any kind, including non-personal or contractual services such as the repair and maintenance of equipment and furniture, as well as trucking, hauling, janitorial, security, and related or analogous services, as well as procurement of materials and supplies provided by the Procuring Entity for such services. The term “related” or “analogous services” shall include, but is not limited to, lease or purchase of office space, media advertisements, health maintenance services, and other services essential to the operation of the Procuring Entity. (2016 revised IRR, Section 5[r])

**GOP** – Government of the Philippines.

**Infrastructure Projects** – Include the construction, improvement, rehabilitation, demolition, repair, restoration or maintenance of roads and bridges, railways, airports, seaports, communication facilities, civil works components of information technology projects, irrigation, flood control and drainage, water supply, sanitation, sewerage and solid waste management systems, shore protection, energy/power and electrification facilities, national buildings, school buildings, hospital buildings, and other related construction projects of the government. Also referred to as *civil works or works*. (2016 revised IRR, Section 5[u])

**LGUs** – Local Government Units.

**NFCC** – Net Financial Contracting Capacity.

**NGA** – National Government Agency.

**PCAB** – Philippine Contractors Accreditation Board.

**PhilGEPS** - Philippine Government Electronic Procurement System.

**Procurement Project** – refers to a specific or identified procurement covering goods, infrastructure project or consulting services. A Procurement Project shall be described, detailed, and scheduled in the Project Procurement Management Plan prepared by the agency which shall be consolidated in the procuring entity's Annual Procurement Plan. (GPPB Circular No. 06-2019 dated 17 July 2019)

**PSA** – Philippine Statistics Authority.

**SEC** – Securities and Exchange Commission.

**SLCC** – Single Largest Completed Contract.

**UN** – United Nations.

## *Section I. Invitation to Bid*

## **BIDS AND AWARDS COMMITTEE**

### **Invitation to Bid for Supply of Labor and Materials for the Rehabilitation of the Roof of Meeting Room I**

1. The *Philippine International Convention Center (PICC)*, through the *Approved Budget for CY 2024*, intends to apply the sum of **SIXTEEN MILLION NINE HUNDRED SIXTY-EIGHT THOUSAND EIGHT HUNDRED NINETY PESOS AND TWENTY-ONE CENTAVOS (Php16,968,890.21)**, **VAT Inclusive**, being the Approved Budget for the Contract (ABC) to payments under the contract for **Supply of Labor and Materials for the Rehabilitation of the Roof of Meeting Room I (APP2024\_MC-14)**. Bids received in excess of the ABC shall be automatically rejected at bid opening.
2. The *PICC* now invites bids for the above Procurement Project. Completion of the Works is required within sixty (60) CALENDAR DAYS. Bidders should have completed within the last five (5) years from date of submission and receipt of bids, a contract similar to the Project. The description of an eligible bidder is contained in the Bidding Documents, particularly, in Section II (Instructions to Bidders).
3. Bidding will be conducted through open competitive bidding procedures using non-discretionary “*pass/fail*” criterion as specified in the 2016 Revised Implementing Rules and Regulations (IRR) of Republic Act (RA) No. 9184.
4. Prospective Bidders may obtain further information from the *PICC-BAC* and inspect the Bidding Documents at the address given below during office hours.
5. A complete set of Bidding Documents may be acquired by prospective bidders starting April 3, 2024 from the given address and website/s below *and upon payment of a non-refundable fee, in the amount of Thirteen Thousand Seven Hundred Fifty Pesos (Php13,750.00)*. A bidder shall present its proof of payment for the fee *by furnishing the PICC-BAC a copy of the Official Receipt*.
6. The *PICC-BAC* will hold a Pre-Bid Conference on April 15, 2024, *at 11:00 a.m.*, at *Function Room B, 2<sup>nd</sup> Floor, Secretariat Building, PICC* and/or through videoconferencing/webcasting *via Zoom/Google Meet*, which shall be open to prospective bidders.
7. Bids must be duly received by the BAC Secretariat through manual submission at the office address as indicated below, on or before April 29, 2024, *at 10:30 a.m.* Late bids shall not be accepted.
8. All bids must be accompanied by a bid security in any of the acceptable forms and in the amount stated in ITB Clause 15.



9. Bid opening shall be on April 29, 2024 at 11:00 a.m. at the given address below. Bids will be opened in the presence of the bidders' representatives who choose to attend the activity.
10. The PICC reserves the right to reject any and all bids, declare a failure of bidding, or not award the contract at any time prior to contract award in accordance with Sections 35.6 and 41 of the 2016 revised Implementing Rules and Regulations (IRR) of RA No. 9184, without thereby incurring any liability to the affected bidder or bidders.
11. For further information, please refer to:

*BIDS AND AWARDS COMMITTEE  
PHILIPPINE INTERNATIONAL CONVENTION CENTER  
PICC Complex, Pasay City 1307  
87894759 and 87894760  
Telefax No. 87894761  
Email: [procurement@picc.gov.ph](mailto:procurement@picc.gov.ph)*

12. You may visit the following websites:

For downloading of Bidding Documents: [www.picc.gov.ph](http://www.picc.gov.ph)

  
MELPIN A. GONZAGA  
Chairman

## *Section II. Instructions to Bidders*

## **1. Scope of Bid**

The Procuring Entity, *Philippine International Convention Center* invite Bids for the *Supply of Labor and Materials for the Rehabilitation of the Roof of Meeting Room I*, with Project Identification Number PICC APP No. 2024-MC-14.

The Procurement Project (referred to herein as “Project”) is for the construction of Works, as described in Section VI (Specifications).

## **2. Funding Information**

2.1. The GOP through the source of funding as indicated below for 2024 in the amount of Php16,968,890.21.

2.2. The source of funding is:

- a. GOCC and GFIs, the Corporate Operating Budget.

## **3. Bidding Requirements**

The Bidding for the Project shall be governed by all the provisions of RA No. 9184 and its 2016 revised IRR, including its Generic Procurement Manual and associated policies, rules and regulations as the primary source thereof, while the herein clauses shall serve as the secondary source thereof.

Any amendments made to the IRR and other GPPB issuances shall be applicable only to the ongoing posting, advertisement, or invitation to bid by the BAC through the issuance of a supplemental or bid bulletin.

The Bidder, by the act of submitting its Bid, shall be deemed to have inspected the site, determined the general characteristics of the contracted Works and the conditions for this Project, such as the location and the nature of the work; (b) climatic conditions; (c) transportation facilities; (c) nature and condition of the terrain, geological conditions at the site communication facilities, requirements, location and availability of construction aggregates and other materials, labor, water, electric power and access roads; and (d) other factors that may affect the cost, duration and execution or implementation of the contract, project, or work and examine all instructions, forms, terms, and project requirements in the Bidding Documents.

## **4. Corrupt, Fraudulent, Collusive, Coercive, and Obstructive Practices**

The Procuring Entity, as well as the Bidders and Contractors, shall observe the highest standard of ethics during the procurement and execution of the contract. They or through an agent shall not engage in corrupt, fraudulent, collusive, coercive, and obstructive practices defined under Annex “I” of the 2016 revised IRR of RA No. 9184 or other integrity violations in competing for the Project.

## 5. Eligible Bidders

- 5.1. Only Bids of Bidders found to be legally, technically, and financially capable will be evaluated.
- 5.2. The Bidder must have an experience of having completed a Single Largest Completed Contract (SLCC) that is similar to this Project, equivalent to at least fifty percent (50%) of the ABC adjusted, if necessary, by the Bidder to current prices using the PSA's CPI, except under conditions provided for in Section 23.4.2.4 of the 2016 revised IRR of RA No. 9184.

A contract is considered to be "similar" to the contract to be bid if it has the major categories of work stated in the **BDS**.

- 5.3. For Foreign-funded Procurement, the Procuring Entity and the foreign government/foreign or international financing institution may agree on another track record requirement, as specified in the Bidding Document prepared for this purpose.
- 5.4. The Bidders shall comply with the eligibility criteria under Section 23.4.2 of the 2016 IRR of RA No. 9184.

## 6. Origin of Associated Goods

There is no restriction on the origin of Goods other than those prohibited by a decision of the UN Security Council taken under Chapter VII of the Charter of the UN.

## 7. Subcontracts

- 7.1. The Bidder may subcontract portions of the Project to the extent allowed by the Procuring Entity as stated herein, but in no case more than fifty percent (50%) of the Project.

The Procuring Entity has prescribed that:

- a. Subcontracting is not allowed.

- 7.1. *[If Procuring Entity has determined that subcontracting is allowed during the bidding, state:]* The Bidder must submit together with its Bid the documentary requirements of the subcontractor(s) complying with the eligibility criteria stated in **ITB** Clause 5 in accordance with Section 23.4 of the 2016 revised IRR of RA No. 9184 pursuant to Section 23.1 thereof.

- 7.2. *[If subcontracting is allowed during the contract implementation stage, state:]* The Supplier may identify its subcontractor during the contract implementation stage. Subcontractors identified during the bidding may be changed during the implementation of this Contract. Subcontractors must submit the documentary requirements under Section 23.1 of the 2016 revised IRR of RA No. 9184 and comply with the eligibility criteria specified in **ITB** Clause 5 to the implementing or end-user unit.

- 7.3. Subcontracting of any portion of the Project does not relieve the Contractor of any liability or obligation under the Contract. The Supplier will be responsible for the acts, defaults, and negligence of any subcontractor, its agents, servants, or workmen as fully as if these were the Contractor's own acts, defaults, or negligence, or those of its agents, servants, or workmen.

## **8. Pre-Bid Conference**

The Procuring Entity will hold a pre-bid conference for this Project on the specified date and time and either at its physical address and/or through videoconferencing/webcasting as indicated in paragraph 6 of the **IB**.

## **9. Clarification and Amendment of Bidding Documents**

Prospective bidders may request for clarification on and/or interpretation of any part of the Bidding Documents. Such requests must be in writing and received by the Procuring Entity, either at its given address or through electronic mail indicated in the **IB**, at least ten (10) calendar days before the deadline set for the submission and receipt of Bids.

## **10. Documents Comprising the Bid: Eligibility and Technical Components**

- 10.1. The first envelope shall contain the eligibility and technical documents of the Bid as specified in **Section IX. Checklist of Technical and Financial Documents**.
- 10.2. If the eligibility requirements or statements, the bids, and all other documents for submission to the BAC are in foreign language other than English, it must be accompanied by a translation in English, which shall be authenticated by the appropriate Philippine foreign service establishment, post, or the equivalent office having jurisdiction over the foreign bidder's affairs in the Philippines. For Contracting Parties to the Apostille Convention, only the translated documents shall be authenticated through an apostille pursuant to GPPB Resolution No. 13-2019 dated 23 May 2019. The English translation shall govern, for purposes of interpretation of the bid.
- 10.3. A valid PCAB License is required, and in case of joint ventures, a valid special PCAB License, and registration for the type and cost of the contract for this Project. Any additional type of Contractor license or permit shall be indicated in the **BDS**.
- 10.4. A List of Contractor's key personnel (e.g., Project Manager, Project Engineers, Materials Engineers, and Foremen) assigned to the contract to be bid, with their complete qualification and experience data shall be provided. These key personnel must meet the required minimum years of experience set in the **BDS**.
- 10.5. A List of Contractor's major equipment units, which are owned, leased, and/or under purchase agreements, supported by proof of ownership, certification of

availability of equipment from the equipment lessor/vendor for the duration of the project, as the case may be, must meet the minimum requirements for the contract set in the **BDS**.

## **11. Documents Comprising the Bid: Financial Component**

- 11.1. The second bid envelope shall contain the financial documents for the Bid as specified in **Section IX. Checklist of Technical and Financial Documents**.
- 11.2. Any bid exceeding the ABC indicated in paragraph 1 of the **IB** shall not be accepted.
- 11.3. For Foreign-funded procurement, a ceiling may be applied to bid prices provided the conditions are met under Section 31.2 of the 2016 revised IRR of RA No. 9184.

## **12. Alternative Bids**

Bidders shall submit offers that comply with the requirements of the Bidding Documents, including the basic technical design as indicated in the drawings and specifications. Unless there is a value engineering clause in the **BDS**, alternative Bids shall not be accepted.

## **13. Bid Prices**

All bid prices for the given scope of work in the Project as awarded shall be considered as fixed prices, and therefore not subject to price escalation during contract implementation, except under extraordinary circumstances as determined by the NEDA and approved by the GPPB pursuant to the revised Guidelines for Contract Price Escalation guidelines.

## **14. Bid and Payment Currencies**

- 14.1. Bid prices may be quoted in the local currency or tradeable currency accepted by the BSP at the discretion of the Bidder. However, for purposes of bid evaluation, Bids denominated in foreign currencies shall be converted to Philippine currency based on the exchange rate as published in the BSP reference rate bulletin on the day of the bid opening.
- 14.2. *Payment of the contract price shall be made in Philippine Pesos.*

## **15. Bid Security**

- 15.1. The Bidder shall submit a Bid Securing Declaration or any form of Bid Security in the amount indicated in the **BDS**, which shall be not less than the percentage of the ABC in accordance with the schedule in the **BDS**.

- 15.2. The Bid and bid security shall be valid one hundred twenty (120) calendar days from the date of opening of bids. Any bid not accompanied by an acceptable bid security shall be rejected by the Procuring Entity as non-responsive.

## **16. Sealing and Marking of Bids**

Each Bidder shall submit one copy of the first and second components of its Bid.

The Procuring Entity may request additional hard copies and/or electronic copies of the Bid. However, failure of the Bidders to comply with the said request shall not be a ground for disqualification.

If the Procuring Entity allows the submission of bids through online submission to the given website or any other electronic means, the Bidder shall submit an electronic copy of its Bid, which must be digitally signed. An electronic copy that cannot be opened or is corrupted shall be considered non-responsive and, thus, automatically disqualified.

## **17. Deadline for Submission of Bids**

The Bidders shall submit on the specified date and time and either at its physical address or through online submission as indicated in paragraph 7 of the **IB**.

## **18. Opening and Preliminary Examination of Bids**

- 18.1. The BAC shall open the Bids in public at the time, on the date, and at the place specified in paragraph 9 of the **IB**. The Bidders' representatives who are present shall sign a register evidencing their attendance. In case videoconferencing, webcasting or other similar technologies will be used, attendance of participants shall likewise be recorded by the BAC Secretariat.

In case the Bids cannot be opened as scheduled due to justifiable reasons, the rescheduling requirements under Section 29 of the 2016 revised IRR of RA No. 9184 shall prevail.

- 18.2. The preliminary examination of Bids shall be governed by Section 30 of the 2016 revised IRR of RA No. 9184.

## **19. Detailed Evaluation and Comparison of Bids**

- 19.1. The Procuring Entity's BAC shall immediately conduct a detailed evaluation of all Bids rated "*passed*" using non-discretionary pass/fail criteria. The BAC shall consider the conditions in the evaluation of Bids under Section 32.2 of 2016 revised IRR of RA No. 9184.
- 19.2. If the Project allows partial bids, all Bids and combinations of Bids as indicated in the **BDS** shall be received by the same deadline and opened and evaluated simultaneously so as to determine the Bid or combination of Bids offering the lowest calculated cost to the Procuring Entity. Bid Security as required by **ITB** Clause 16 shall be submitted for each contract (lot) separately.

19.3. In all cases, the NFCC computation pursuant to Section 23.4.2.6 of the 2016 revised IRR of RA No. 9184 must be sufficient for the total of the ABCs for all the lots participated in by the prospective Bidder.

## **20. Post Qualification**

Within a non-extendible period of five (5) calendar days from receipt by the Bidder of the notice from the BAC that it submitted the Lowest Calculated Bid, the Bidder shall submit its latest income and business tax returns filed and paid through the BIR Electronic Filing and Payment System (eFPS), and other appropriate licenses and permits required by law and stated in the **BDS**.

## **21. Signing of the Contract**

The documents required in Section 37.2 of the 2016 revised IRR of RA No. 9184 shall form part of the Contract. Additional Contract documents are indicated in the **BDS**.



*Section III. Bid Data Sheet*

## Bid Data Sheet

ITB Clause	
5	<p>The following persons shall be eligible to participate in this bidding:</p> <ul style="list-style-type: none"> <li>• Duly Licensed Filipino citizens/sole proprietorships;</li> <li>• Partnerships duly organized under the laws of the Philippines and of which at least sixty percent (60%) of the interest belongs to citizens of the Philippines;</li> <li>• Corporations duly organized under the laws of the Philippines, and of which at least sixty percent (60%) of the outstanding capital stocks belongs to citizens of the Philippines;</li> <li>• Cooperative duly organized under the laws of the Philippines, and of which at least sixty percent (60%) interest belongs to the citizens of the Philippines;</li> <li>• At least five (5) years' work experience in PVC membrane waterproofing works.</li> </ul>
5.2	<p>The Bidder must have completed within five (5) years from the date of bidding, a single contract that is similar to this requirement, the amount of which shall be at least fifty percent (50%) of the ABC.</p> <p>For this purpose, contracts similar to the Project refer to contracts involving waterproofing works.</p>
7.1	Subcontracting is not allowed.
8	The <i>PICC-BAC</i> will hold a Pre-Bid Conference on April 15, 2024, at 11:00 a.m.
10.3	The Contractor shall be PCAB licensed with a classification of General Building, "D" category and specialty in waterproofing works (SP-WP), with at least five (5) years' work experience in PVC Membrane/HDPE material waterproofing works.

10.4	<p>The key personnel must meet the required minimum years of experience set below:</p> <table border="1" data-bbox="379 304 1380 1086"> <thead> <tr> <th data-bbox="379 304 671 349">Key Personnel</th> <th data-bbox="676 304 1380 349">Relevant Experience</th> </tr> </thead> <tbody> <tr> <td data-bbox="379 356 671 629">1 – Fulltime Project-in-Charge</td> <td data-bbox="676 356 1380 629">Must have at least five (5) years’ experience as Supervisor and/or Installer in PVC membrane waterproofing works. Must have a Certificate of employment as Supervisor in the installation of the PVC waterproofing system and with Certificate of training as Installer of PVC waterproofing membrane from the manufacturer.</td> </tr> <tr> <td data-bbox="379 636 671 853">– PVC Membrane Installers</td> <td data-bbox="676 636 1380 853">Minimum of three (3) years’ work experience as installer of PVC membrane. Must have Certification of employment as Installer of PVC Membrane waterproofing and Certificate of training as Installer of PVC waterproofing membrane from the Manufacturer</td> </tr> <tr> <td data-bbox="379 860 671 1086">1 – Safety Officer</td> <td data-bbox="676 860 1380 1086">Minimum of three (3) years’ work experience as Safety Officer/Practitioner. Must have Certificate of employment as Safety Officer and Certificate of training in Occupational Safety and Health from DOLE or any DOLE accredited training institution.</td> </tr> </tbody> </table>	Key Personnel	Relevant Experience	1 – Fulltime Project-in-Charge	Must have at least five (5) years’ experience as Supervisor and/or Installer in PVC membrane waterproofing works. Must have a Certificate of employment as Supervisor in the installation of the PVC waterproofing system and with Certificate of training as Installer of PVC waterproofing membrane from the manufacturer.	– PVC Membrane Installers	Minimum of three (3) years’ work experience as installer of PVC membrane. Must have Certification of employment as Installer of PVC Membrane waterproofing and Certificate of training as Installer of PVC waterproofing membrane from the Manufacturer	1 – Safety Officer	Minimum of three (3) years’ work experience as Safety Officer/Practitioner. Must have Certificate of employment as Safety Officer and Certificate of training in Occupational Safety and Health from DOLE or any DOLE accredited training institution.	
Key Personnel	Relevant Experience									
1 – Fulltime Project-in-Charge	Must have at least five (5) years’ experience as Supervisor and/or Installer in PVC membrane waterproofing works. Must have a Certificate of employment as Supervisor in the installation of the PVC waterproofing system and with Certificate of training as Installer of PVC waterproofing membrane from the manufacturer.									
– PVC Membrane Installers	Minimum of three (3) years’ work experience as installer of PVC membrane. Must have Certification of employment as Installer of PVC Membrane waterproofing and Certificate of training as Installer of PVC waterproofing membrane from the Manufacturer									
1 – Safety Officer	Minimum of three (3) years’ work experience as Safety Officer/Practitioner. Must have Certificate of employment as Safety Officer and Certificate of training in Occupational Safety and Health from DOLE or any DOLE accredited training institution.									
10.5	<p>The minimum major equipment required to the project:</p> <table border="1" data-bbox="379 1198 1380 1456"> <thead> <tr> <th data-bbox="379 1198 533 1279">Item No.</th> <th data-bbox="537 1198 788 1279">Number of Units</th> <th data-bbox="793 1198 1380 1279">Description of Equipment</th> </tr> </thead> <tbody> <tr> <td data-bbox="379 1285 533 1375">1.</td> <td data-bbox="537 1285 788 1375">1 – unit</td> <td data-bbox="793 1285 1380 1375">Automatic Welding Machine for PVC Membrane</td> </tr> <tr> <td data-bbox="379 1382 533 1456">2.</td> <td data-bbox="537 1382 788 1456">3 – units</td> <td data-bbox="793 1382 1380 1456">Automatic Hand Welding Guns for PVC Membrane</td> </tr> </tbody> </table>	Item No.	Number of Units	Description of Equipment	1.	1 – unit	Automatic Welding Machine for PVC Membrane	2.	3 – units	Automatic Hand Welding Guns for PVC Membrane
Item No.	Number of Units	Description of Equipment								
1.	1 – unit	Automatic Welding Machine for PVC Membrane								
2.	3 – units	Automatic Hand Welding Guns for PVC Membrane								
12	Not applicable.									
15.1	<p>The bid security shall be in the form of a Bid Securing Declaration or any of the following forms and amounts:</p> <ol style="list-style-type: none"> <li data-bbox="379 1659 1412 1733">a. In the amount of not less than ₱339,377.80, Cash, cashier’s/manager’s check, bank draft/guarantee or irrevocable letter of credit;</li> <li data-bbox="379 1740 1412 1785">b. Surety Bond in the amount of not less than ₱848,444.51</li> </ol>									
15.2	The bid security shall be valid until <i>One Hundred Twenty (120) calendar days from the date of submission and opening of bids.</i>									

J.

J.

16	<p>Sealing and Marking of Bids</p> <p>Each Bidder shall submit the original and one (1) copy of the first and second components of its Bid.</p>
16.1	<p>The address for submission of bids is:</p> <p style="text-align: center;">PICC-Bids and Awards Committee (BAC) Secretariat Ground floor, Delegation Building PICC Complex, 1307 Pasay City</p> <p>The deadline for submission of bids is April 29, 2024 at 10:30 a.m.</p>
17.1	<p>The place of bid</p> <p style="text-align: center;">BAC CONFERENCE ROOM Function Room B, 2<sup>nd</sup> Floor, Secretariat Building PICC Complex, 1307 Pasay City</p> <p>The date and time of bid opening is April 29, 2024 at 11:00 a.m.</p> <p>In case the Bids cannot be opened as scheduled due to justifiable reasons, the BAC shall take custody of the Bids submitted and the opening of Bids shall be at 2:00 p.m. of the next working day.</p>
19.2	<p>Not Applicable.</p>
20	<p>Within a non-extendible period of five (5) calendar days from receipt of the notice from the BAC that it submitted the Lowest Calculated Bid, the Bidder shall submit the following;</p> <ol style="list-style-type: none"> <li>1. 2022 Income and Business Tax returns with proof of payment;</li> <li>2. Sections III and V of the Bid Documents, signed on each and every page by the bidder's authorized representative;</li> <li>3. Company profile with organizational chart and sketch of office location;</li> <li>4. Resume of key personnel who will be assigned to the project;</li> <li>5. Manufacturer's certification of the product specifications;</li> <li>6. Brochure of the PVC Membrane and Geotextile;</li> <li>7. Sample of the PVC Membrane and Geotextile, 60cm x 60cm;</li> <li>8. Sample of the mechanical fastener, 1 set of fastener with fastening plate and screw</li> <li>9. Certification that the participating bidder has conducted ocular inspection of the subject requirements; and</li> <li>10. Certificate of Satisfactory Completion and Acceptance of previous PICC projects undertaken within the last five (5) years, if any.</li> </ol>

21	<p>The following documents shall be submitted, together with the Performance Bond, within ten (10) calendar days after the receipt of the Notice of Award. Such documents shall form part of the contract;</p> <ol style="list-style-type: none"><li>1. Project Schedule/ Work Program and S-curve;</li><li>2. Project Safety and Health Program signed by the Safety Officer; and</li><li>3. PERT/CPM.</li></ol>
----	---

## *Section IV. General Conditions of Contract*

## 1. **Scope of Contract**

This Contract shall include all such items, although not specifically mentioned, that can be reasonably inferred as being required for its completion as if such items were expressly mentioned herein. All the provisions of RA No. 9184 and its 2016 revised IRR, including the Generic Procurement Manual, and associated issuances, constitute the primary source for the terms and conditions of the Contract, and thus, applicable in contract implementation. Herein clauses shall serve as the secondary source for the terms and conditions of the Contract.

This is without prejudice to Sections 74.1 and 74.2 of the 2016 revised IRR of RA No. 9184 allowing the GPPB to amend the IRR, which shall be applied to all procurement activities, the advertisement, posting, or invitation of which were issued after the effectivity of the said amendment.

## 2. **Sectional Completion of Works**

If sectional completion is specified in the **Special Conditions of Contract (SCC)**, references in the Conditions of Contract to the Works, the Completion Date, and the Intended Completion Date shall apply to any Section of the Works (other than references to the Completion Date and Intended Completion Date for the whole of the Works).

## 3. **Possession of Site**

3.1 The Procuring Entity shall give possession of all or parts of the Site to the Contractor based on the schedule of delivery indicated in the **SCC**, which corresponds to the execution of the Works. If the Contractor suffers delay or incurs cost from failure on the part of the Procuring Entity to give possession in accordance with the terms of this clause, the Procuring Entity's Representative shall give the Contractor a Contract Time Extension and certify such sum as fair to cover the cost incurred, which sum shall be paid by Procuring Entity.

3.2 If possession of a portion is not given by the above date, the Procuring Entity will be deemed to have delayed the start of the relevant activities. The resulting adjustments in contract time to address such delay may be addressed through contract extension provided under Annex "E" of the 2016 revised IRR of RA No. 9184.

## 4. **The Contractor's Obligations**

The Contractor shall employ the key personnel named in the Schedule of Key Personnel indicating their designation, in accordance with **ITB** Clause 10.3 and specified in the **BDS**, to carry out the supervision of the Works.

The Procuring Entity will approve any proposed replacement of key personnel only if their relevant qualifications and abilities are equal to or better than those of the personnel listed in the Schedule.

## **5. Performance Security**

- 5.1. Within ten (10) calendar days from receipt of the Notice of Award from the Procuring Entity but in no case later than the signing of the contract by both parties, the successful Bidder shall furnish the performance security in any of the forms prescribed in Section 39 of the 2016 revised IRR.
- 5.2. The Contractor, by entering into the Contract with the Procuring Entity, acknowledges the right of the Procuring Entity to institute action pursuant to RA No. 3688 against any subcontractor be they an individual, firm, partnership, corporation, or association supplying the Contractor with labor, materials and/or equipment for the performance of this Contract.

## **6. Site Investigation Reports**

The Contractor, in preparing the Bid, shall rely on any Site Investigation Reports referred to in the SCC supplemented by any information obtained by the Contractor.

## **7. Warranty**

- 7.1. In case the Contractor fails to undertake the repair works under Section 62.2.2 of the 2016 revised IRR, the Procuring Entity shall forfeit its performance security, subject its property(ies) to attachment or garnishment proceedings, and perpetually disqualify it from participating in any public bidding. All payables of the GOP in his favor shall be offset to recover the costs.
- 7.2. The warranty against Structural Defects/Failures, except that occasioned-on force majeure, shall cover the period from the date of issuance of the Certificate of Final Acceptance by the Procuring Entity. Specific duration of the warranty is found in the SCC.

## **8. Liability of the Contractor**

Subject to additional provisions, if any, set forth in the SCC, the Contractor's liability under this Contract shall be as provided by the laws of the Republic of the Philippines.

If the Contractor is a joint venture, all partners to the joint venture shall be jointly and severally liable to the Procuring Entity.

## **9. Termination for Other Causes**

Contract termination shall be initiated in case it is determined *prima facie* by the Procuring Entity that the Contractor has engaged, before, or during the implementation of the contract, in unlawful deeds and behaviors relative to contract acquisition and implementation, such as, but not limited to corrupt, fraudulent, collusive, coercive, and obstructive practices as stated in ITB Clause 4.

## **10. Dayworks**

Subject to the guidelines on Variation Order in Annex "E" of the 2016 revised IRR of RA No. 9184, and if applicable as indicated in the SCC, the Dayworks rates in the



Contractor's Bid shall be used for small additional amounts of work only when the Procuring Entity's Representative has given written instructions in advance for additional work to be paid for in that way.

## **11. Program of Work**

11.1. The Contractor shall submit to the Procuring Entity's Representative for approval the said Program of Work showing the general methods, arrangements, order, and timing for all the activities in the Works. The submissions of the Program of Work are indicated in the SCC.

11.2. The Contractor shall submit to the Procuring Entity's Representative for approval an updated Program of Work at intervals no longer than the period stated in the SCC. If the Contractor does not submit an updated Program of Work within this period, the Procuring Entity's Representative may withhold the amount stated in the SCC from the next payment certificate and continue to withhold this amount until the next payment after the date on which the overdue Program of Work has been submitted.

## **12. Instructions, Inspections and Audits**

The Contractor shall permit the GOP or the Procuring Entity to inspect the Contractor's accounts and records relating to the performance of the Contractor and to have them audited by auditors of the GOP or the Procuring Entity, as may be required.

## **13. Advance Payment**

The Procuring Entity shall, upon a written request of the Contractor which shall be submitted as a Contract document, make an advance payment to the Contractor in an amount not exceeding fifteen percent (15%) of the total contract price, to be made in lump sum, or at the most two installments according to a schedule specified in the SCC, subject to the requirements in Annex "E" of the 2016 revised IRR of RA No. 9184.

## **14. Progress Payments**

The Contractor may submit a request for payment for Work accomplished. Such requests for payment shall be verified and certified by the Procuring Entity's Representative/Project Engineer. Except as otherwise stipulated in the SCC, materials and equipment delivered on the site but not completely put in place shall not be included for payment.

## **15. Operating and Maintenance Manuals**

15.1. If required, the Contractor will provide "as built" Drawings and maintenance manuals as specified in the SCC.

15.2. If the Contractor does not provide the Drawings and/or manuals by the dates stated above, or they do not receive the Procuring Entity's Representative's approval, the Procuring Entity's Representative may withhold the amount stated in the SCC from payments due to the Contractor.

## *Section V. Special Conditions of Contract*

# Special Conditions of Contract

GCC Clause	
2	The schedule of Completion is within Sixty (60) CALENDAR DAYS reckoned seven (7) calendar days after the receipt of the Notice to Proceed (NTP).
3.1	The site shall be available to the Contractor within seven (7) calendar days after issuance of NTP.
6	The <b>Site</b> is located at the Roof of Meeting Room I.
7.2	<p><b>WARRANTY:</b></p> <ol style="list-style-type: none"> <li>1. The warranty shall be <b>fifteen (15) years</b> reckoned from the date of final turn-over and acceptance. The Contractor shall submit the following:               <ol style="list-style-type: none"> <li>a. Warranty Security: The warranty security shall be in accordance with the schedule set in the 2016 Revised Implementing Rules and Regulations Implementing Rules and Regulation 62.2.3.3.</li> <li>b. Submit a written warranty, executed by the waterproofing manufacturer, agreeing replace waterproofing which fail in materials, within fifteen (15) years from the date of final turn-over and acceptance. Failures include failure due to normal waterproofing exposure, but excluding failures due to unusual weather phenomena, failure of substrate, fire, or abuse by traffic.</li> </ol> </li> <li>2. Upon completion of rehabilitation work, including its associated work, the Contractor/Installer shall advice, in writing, the PICC Representative of the recommended procedures in the protection of the PVC membrane during the contract period.</li> <li>3. During the warranty period, the Contractor shall conduct inspection of the installed PVC membrane. Submit a written report to the PICC describing the nature and the extent of the PVC Membrane at least every six (6) months for fifteen (15) years, especially before, during and/or after rainy seasons, as per request of the PICC.</li> <li>4. The Contractor shall repair or replace deteriorated or defective work found at the time of inspection without additional cost of the PICC.</li> </ol>
10	Dayworks are applicable at the rate shown in the Contractor's original Bid.
11.1	The Contractor shall submit the Program of Work to the Procuring Entity's Representative within ten (10) calendar days upon receipt of Notice of Award.

*f.*

*g*

**Payment**

1. Full payment shall be made upon completion of the project and submission of the following documents:
  - Letter request of the Contractor for the release of the payment for work accomplished
  - Breakdown of work accomplished as validated and certified by PICC Representative
  - Photographs of work accomplished
  - Key plan highlighting work accomplished
  - As-Built Plan in soft and hard copy. The hard copy shall be in A3 bond size, three (3) copies signed by the CONTRACTOR and PICC authorized representative. The soft copy shall be saved in a USB, indicating all actual measurements, PVC membrane and fastener lay-out, details of upstand and all other necessary details needed.
2. Payment shall be subject to the following:
  - Ten percent (10%) of the contract amount as retention money. The total "retention money" shall be due for release upon final acceptance of the works, and
  - Five percent (5%) of the contract amount as guarantee for the fifteen year (15) warranty period. Said amount shall be released after accomplishing the condition under item 3 of the warranty conditions
3. The five percent (5%) of the contract amount withheld for the warranty shall be released equally, twice a year, for fifteen (15) years, after submission of a letter request, inspection report, the warranty security and notarized warranty certificate from the contractor. The inspection shall be at least every six (6) months starting from the date of the final turn-over and acceptance of the project.
4. The PICC representative shall check the contractor's request for payment and certify the amount to be paid to the contractor as progress payments. Materials and equipment delivered on the site but not completely put in place shall not be included for payment.
5. The PICC shall deduct the following from the certified gross amounts to be paid to the contractor's progress payments.
  - 10% as Retention money and 5% for the fifteen (15) years warranty.
  - Amount to cover the uncorrected discovered defects in the works.

	<p>6. PICC shall pay the CONTRACTOR the amounts certified by PICC's Representative within twenty-eight (28) calendar days from the date the request for payment is evaluated and approved. No payment interest shall be made for the delayed payments and adjustments.</p>
--	--

f-

g

## *Section VI. Specifications*

## SUPPLY OF LABOR AND MATERIALS FOR REHABILITATION OF THE ROOF OF MEETING ROOM 1

---

### I. SCOPE OF WORKS and SPECIFICATIONS:

The works shall be supply of all materials, labor, tools, equipment and other incidental necessary for the rehabilitation of the roof of Meeting Room 1 and masonry works.

The following features of the work shall be performed, but not limited to the following:

1. Mobilization

Manpower, tools, equipment and temporary warehouse.

2. Health and Safety requirements

- a. Installation of 2 - safety signage per area, same as the PICC standard signage, 22" x 32". See attached drawing.
- b. Provide portable fire extinguishers, at least two (2) units per location.
- c. Personal Protective Equipment (PPE). The Contractor shall comply with the requirements under DPWH and DOH (protocol against COVID-19)
- d. All workers shall wear their company uniform together with the required PPEs. (See item 10 in General Conditions)

3. Demobilization

Manpower, tools, equipment, temporary warehouse, including hauling-out of construction debris.

4. Rehabilitation works:

- a. The Bidder shall inspect and measure the actual area to be waterproofed and verify its condition.
- b. Inspection of the existing utilities: Examine all the existing utilities and its status to receive the PVC membrane. The existing utilities are the air-conditioning systems and other electrical utilities. The Bidder shall inspect carefully the existing conditions that may affect the installation and costing of the project.
- c. PVC membrane installation:

Roof of Meeting Room 1:

1. Site survey before application/installation is required.
2. Removal of blistered of existing spray foam insulation and treatment of corroded area by application of epoxy anti-corrosive primer. Levelling of the surface of existing spray foam insulation in preparation for the installation of waterproofing.
3. Installation of 0.15mm thick, clear polyethylene sheet to be layed on top of the existing roof. Submit sample for approval.

g-

g\*

4. Installation of expanded polystyrene (EPS) foam. See attached plan for details. Submit sample and brochure for approval.

***EPS Foam Specification:***

Board Size	2400mm x 1200mm	
Thickness	25mm	
Density', Min.	28.8kg/m <sup>2</sup>	ASTM D6817
Compressive Resistance' @ 1% deformation min.	75 kpa	ASTM D6817
Elastic Modulos' min	7500 kpa	ASTM D6817
Flexural Strength'. Min.	345 kpa	ASTM D6817
Compressive Resistance' @ 5% deformation, min.	170 kpa	ASTM D6817
Compressive Resistance' @ 10% deformation, min.	200 kpa	ASTM D6817

5. Installation of non-asbestos 8mm fiber cement (ficem) board. The ficem board shall be screw to the existing purlins of the roof, spacing at 60cm. Submit sample of ficem board and screw for approval.
6. Installation of fully adhered polyvinyl chloride with a glass non-woven inlay and polyester fleece backing (PVC membrane with felt), install with approved manufacturer's adhesive. Submit 60cm x60cm sample for PVC membrane with felt and manufacturer's certification of the product specifications.

f-

of



***PVC Membrane Specification:***

Material	Polyvinyl Chloride (with felt)	
Thickness	1.5mm	
Width	2.0m	
Length	20.0m	
Color	White (matte)	
Resistance to impact	≥700mm	EN 12691
Resistance to static load	≥20 kg	EN 12730
Tensile strength	≥650 N/50 mm	EN 12311-2
Elongation	≥45%	
Tear strength	≥220 N	GB/T328.19
Joint peel resistance	≥3 N/mm	GB/T328.21
Joint shear resistance	≥500 N/50 mm	EN 1237-2
Resistance to UV exposure	5000 h / grade 0	EN 1297
Solar reflectance index	≥100	

The PVC membrane shall be delivered in original, un-opened and undamaged packaging in dry condition.

***Adhesive Specification:***

Shear strength	1.8N/mm
Holding rate of shear strength after heat treatment	70%

f-

GA

7. Installation of PVC membrane with felt shall include the stainless gutter and its flashing/parapet.
8. Inspection shall be done to the sub-surface before installation of PVC membrane. The Contractor shall request a permit to install. Installed PVC Membrane without written approval from PICC Representative shall not be considered for payment. Inspection shall be done by the Contractors Representative, technical presentative of the manufacturer and PICC Representative.
9. PVC membrane flashing / upstand: Flash all walls and curbs including inside and outside corners. Terminate the flashing/upstand in accordance with the termination detail e.g. termination bars / flat bars with screws. Exposed termination / flat bars shall be totally covered with sealant, smooth finish using soap and water or other method to attain a smooth finish. Flashing shall be 0.40m in height and varies.
10. Overlap adjacent membrane sheets shall be heat weld with an Automatic Heat Welding Machine. Hand Held Welding Machine shall only be use at difficult areas and in detailing.
11. All other areas / materials / metals / pipes / pebbles wash-out walls and parapet shall be properly fastened and sealed with epoxy / sealant to prevent moisture from entering the waterproofing system or building. The existing drain pipes and electrical pipes at the deck shall be embedded to avoid ponding of water.
12. During installation and upon completion, an inspection shall be conducted by a Technical representative of the manufacturer to ascertain that the waterproofing membrane system has been installed according to published specifications and details and certify that the area is ready for the installation of the PVC membrane.
13. The Technical Representative shall conduct inspection for not less than twice a week. The Technical representative shall be accompanied a PICC Representative during inspection. Inspection attendance will be monitored by signing in the attendance log-book to be provided by PICC. The Technical Representative shall submit a Certificate of Inspection indicating the installation pass through quality check the terminations, details, welded seams, overlaps and joints, all in accordance with the published / approved specifications, installation methods and details, such certificate will be a requirement for payment.
14. The Contractor shall provide a pre-fabricated drain bout on all gutter drains.
15. For the stainless roof gutter use appropriate adhesive for the installation of PVC membrane. Submit brochure for approval before installation.
16. The Contractor shall provide the PICC an attic stock, one (1) roll of PVC Membrane with felt, Dimension: 2m x 20m, and two tubes of structural sealant.

- d. Masonry and other works:
  - 1. Chipping/ Removal of existing pebble wash-out of the parapet wall. See attached plan for details.
  - 2. Installation of new pebble wash-out of the parapet wall. Submit 30cm x 30cm sample of pebbles washout for approval. See attached plan for details
  - 3. Cleaning of existing pebbles wash-out of perimeter parapet wall of Meeting Room-1 roof and as indicated in plan. Use high pressure water sprayer.
  - 4. Application of water repellent to the pebbles wash-out of parapet wall of Meeting Room 1 as shown in plan.
  - 5. Application of structural sealant on all cracks of the pebble wash-out wall and parapet as indicated in the plan.

## II. GENERAL CONDITIONS:

- 1. The Contract Documents, Specifications and Drawings are mutually complimentary. What is noted in one although not shown in other shall be considered contained in all, in case of conflict. The Specifications shall prevail over the Drawings. The documents forming the Contract shall be interpreted in the following order of priority:
  - a. Contract/Construction Agreement
  - b. Contractor's Bid
  - c. Special Conditions of the Contract
  - d. Specifications
  - e. Drawings
  - f. Bill of Quantities
  - g. Any other document listed in the Special Conditions of the Contract as forming part of the Contract
- 2. The Bidders shall examine all the issued documents relating to the work and must have verified all the existing conditions at the site. No consideration will be given for any alleged misunderstanding or misinterpretation of the specifications and materials to be used or work to be done.
- 3. The Bidders shall inspect and examine the site and the surroundings of the project to arrive at a reasonable estimate of the labor, materials, equipment, facilities and services necessary to carry out the works.
- 4. Tapping of equipment and other related works shall be properly coordinated with PICC Representative for provision of electrical power and water. For this purpose, the CONTRACTOR shall provide a sub-meter for power consumptions and shall be billed accordingly.
- 5. The CONTRACTOR shall perform all works necessary to fully accomplish the project.
- 6. A joint ocular inspection must be conducted by the Contractor and PICC Representative to determine the actual condition of the area to be waterproofed and other works included in the scope of works.



7. The CONTRACTOR shall commence execution of the works on the Start Date and shall carry out the works in accordance with the program of work submitted by the CONTRACTOR, as updated with the approval of PICC Representative and complete them by the intended completion date.
8. The CONTRACTOR shall provide all supervision, labor, materials, plant and Contractor's equipment, which may be required.
9. No work shall be done without the project in-charge and safety officer.
10. The CONTRACTOR shall be liable to all health hazards for its workers, fire and accident claims and other related claims arising from the injuries and damages, which occurred in the vicinity. The Contractor shall submit a Safety and Health Program signed by the Contractor and its Safety Officer. The Contractor shall provide PPEs of its workers. No workers shall be allowed to work on site without PPEs like safety shoes, reflective vest and other necessary protective equipment and special PPEs against COVID-19.
11. The CONTRACTOR shall free the PICC and its personnel from and against all liability for damages arising from injuries or liabilities to persons or damages to property by any act of omissions of the contractor including any and all expenses which may be incurred by PICC and its personnel in the defense of any claim, action or suit.
12. Any work that may affect the operation, security and image of the Center shall be coordinated properly with PICC Representative and shall be done in accordance with the Center's approved schedule. There shall be no work during actual event and the possibility of working at night shift.
13. Cost of rework and restoration or replacement of all damaged properties due to CONTRACTOR'S poor workmanship or negligence shall be borne by the Contractor.
14. The CONTRACTOR shall submit list of personnel assigned to the project including their NBI clearance before commencing the above scope of works.
15. The CONTRACTOR's personnel/workers must wear at all times their PPE, security ID issued by PICC and uniform while working inside the Center.
16. The CONTRACTOR shall conduct inspection **twice a year for fifteen (15) years**. The Contractor shall repair or replace deteriorated or defective work found at the time of inspection without additional cost of the PICC. The Contractor shall restore faulty installation or replace defective material free of charge.

### III. MANUFACTURER'S ASSISTANCE:

The Manufacturer shall provide a technical PVC membrane specialist to inspect the quality of work of the Contractor, at least twice a week during the installation period. The Manufacturer, through the Contractor, shall submit certificate of commitment to comply the abovementioned requirement.



**IV. WORKMANSHIP:**

The work throughout shall be executed in the best and most thorough manner to the satisfaction of PICC and its engineers and supervisors who will jointly interpret the meaning of the scope of work and its conditions and shall have the power to reject any work, method of accomplishing every part of work and material used which in their judgment are not in full accordance therewith and are disadvantageous to PICC.

**V. LIQUIDATED DAMAGES:**

In case of delay in the completion period inclusive of duly granted time extensions, if any, the Contractor shall be liable for damages and shall pay the PICC for liquidated damages in an amount equivalent to at least one tenth (1/10) of one percent (1%) of the cost of the unperformed portion of the works for every day of delay.

f.

of

## *Section VII. Drawings*





PICC

TITLE

SUPPLY OF LABOR & MATERIALS FOR THE REHABILITATION OF THE ROOF OF MEETING ROOM 1

DATE

07 27 2023 1 12 2024

REVISION

VERSION

AR. REYNALDO S. MENDOZA JR. ARCHITECT

REG. ARCHITECT

ENGR. WILSON B. DELOS REYES

REGISTERED ELECTRICAL ENGINEER

APPROVED BY

ATTY. RICHARD B. PADILLA

SHEET NO.

2

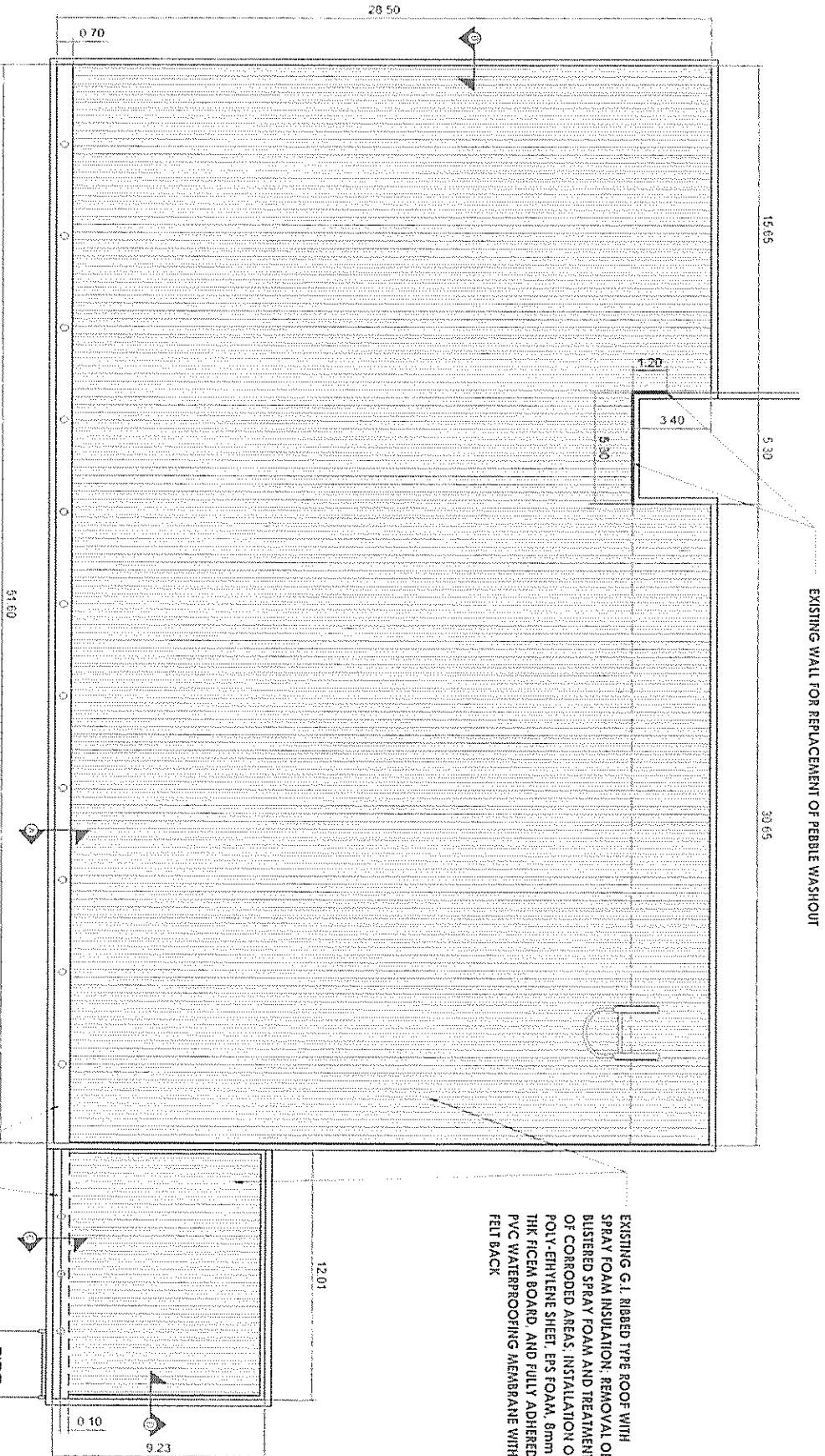
DELEGATION BUILDING

LOCATION

# 1 ROOF PLAN

A1/2 SCALE

1:800 N



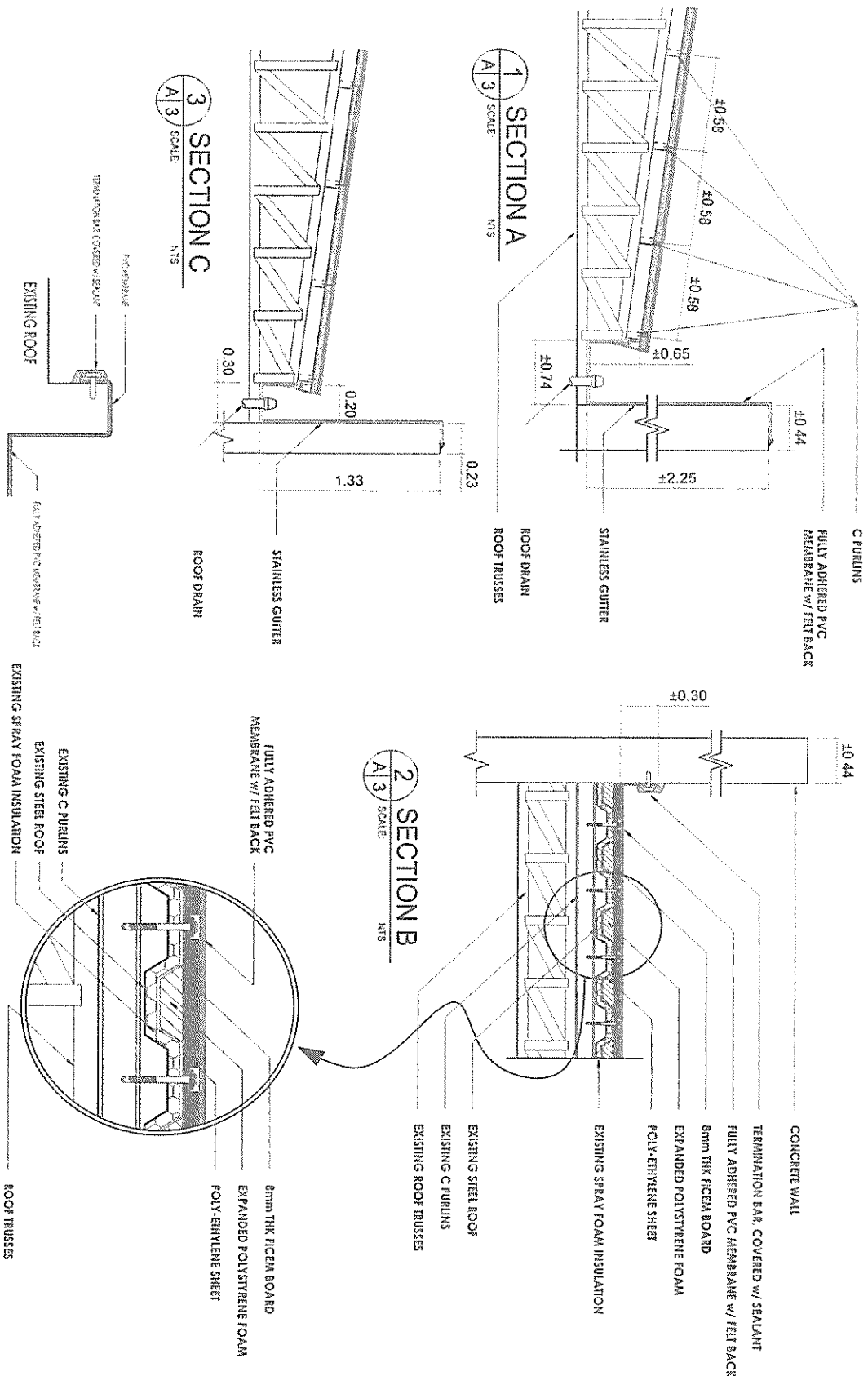
EXISTING WALL FOR REPLACEMENT OF PEBBLE WASHOUT

EXISTING G.I. RIBBED TYPE ROOF WITH SPRAY FOAM INSULATION. REMOVAL OF BUSTLED SPRAY FOAM AND TREATMENT OF CORRODED AREAS, INSTALLATION OF POLY-ETHYLENE SHEET, EPS FOAM, 6mm THK PFCM BOARD, AND FULLY ADHERED PVC WATERPROOFING MEMBRANE WITH FELT BACK

EXISTING STAINLESS GUTTER

FIRE EXIT






**1 SECTION A**  
SCALE: A/3  
NTS

**2 SECTION B**  
SCALE: A/3  
NTS

**3 SECTION C**  
SCALE: A/3  
NTS

**4 BLOWUP DETAIL**  
SCALE: A/3  
NTS

**5 SECTION D**  
SCALE: A/3  
NTS

 <b>PICC</b> <small>Professional Institute of Civil Engineers</small>	TITLE	DATE	REVISION	DESIGNED BY	CHECKED BY	RECOMMENDING APPROVAL	APPROVED BY	SHEET NO.
	SUPPLY OF LABOR & MATERIALS FOR THE REHABILITATION OF THE ROOF OF MEETING ROOM 1 DELEGATION BUILDING	07-27-2013	1-12-2014	AR. RENALDO B. MENDOZA JR. HQS SERVICES OFFICER	ENGR. EDSON T. AURELIO ASSISTANT DIRECTOR BSD ISD	ENGR. WILSON B. DEL ROS REYES DIRECTOR ISD	ATTY. RICHARD B. PADILLA GENERAL MANAGER	3
LOCATION	AUTOCAD BY	AUTOCAD OPERATOR	VERIFIED BY	CHECKED BY	RECOMMENDING APPROVAL	APPROVED BY	SHEET NO.	
	LOUIE JAY E. GADON	LOUIE JAY E. GADON	AR. RENALDO B. MENDOZA JR.	ENGR. EDSON T. AURELIO	ENGR. WILSON B. DEL ROS REYES	ATTY. RICHARD B. PADILLA	6	





PICC  
Puerto Rico Infrastructure  
Construction Center

TITLE

SUPPLY OF LABOR & MATERIALS FOR THE REHABILITATION  
OF THE ROOF OF MEETING ROOM 1

LOCATION

DELEGATION BUILDING

DATE

07 27 2023 1 12 2024

REVISION

AUTOCAD BY

LOUIE JAY E GADDON  
AUTOCAD OPERATOR

VERIFIED BY

CHECKED BY

ENGR. EDISON AURELIO  
ASSISTANT DIRECTOR ESD, IED

RECOMMENDING APPROVAL

ENGR. WILSON B. DEL ROS REYES  
DIRECTOR TSD

MR. ROBERTO A. GARCIA  
DEPUTY GENERAL MANAGER

APPROVED BY

ATTY. REYNOLDO B. KOSIULA  
GENERAL MANAGER

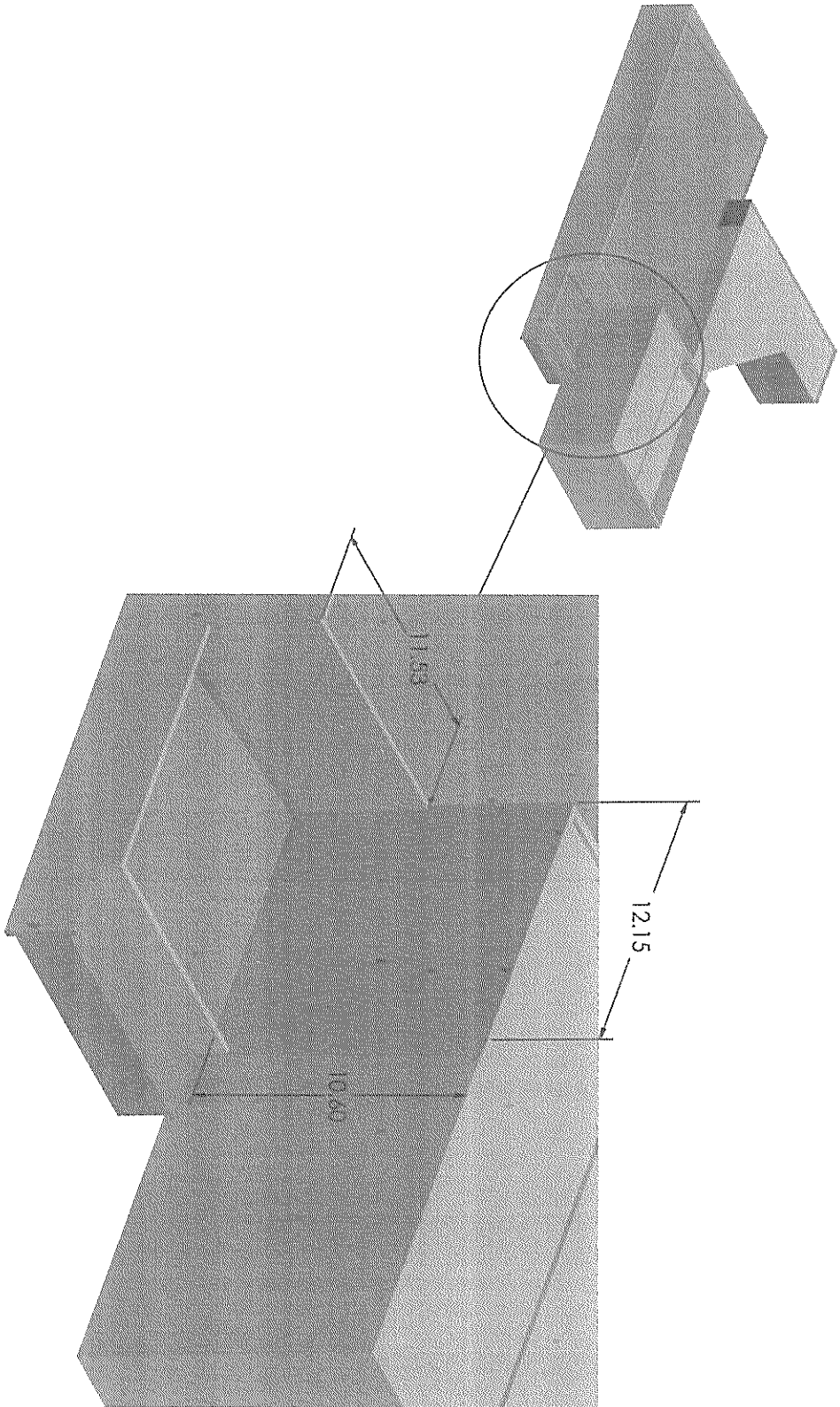
SHEET NO

5

6

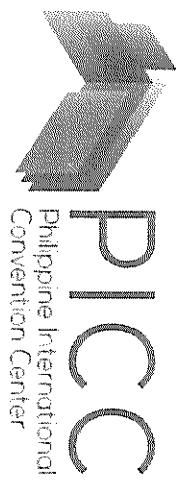
LEGEND  
 GRANITE SEAL OR DYNALOC  
APPLY GRANITE SEAL OR DYNALOC  
AND WATERPROOFING MEMBRANE

### BLOW UP DETAIL

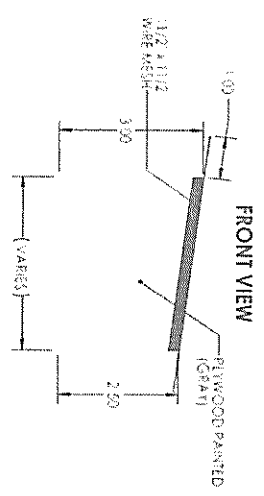
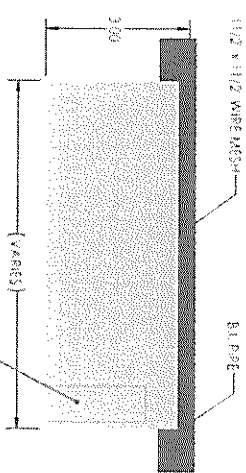
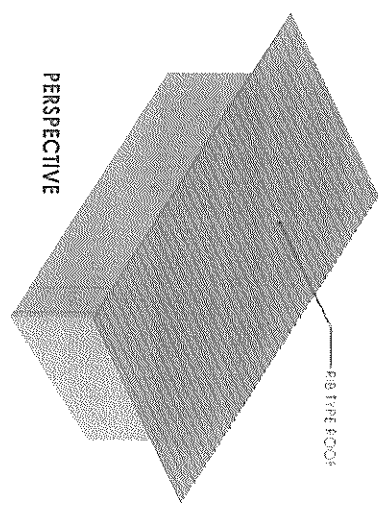


**We are undertaking Major repairs to provide you with better facilities and service**

**SORRY FOR THE INCONVENIENCE**



**STANDARD SIGNAGE, 22" X 32"  
PRINTED IN SINTRA BOARD**



**STANDARD TEMPORARY FACILITIES**  
NOTE: THE CONTRACTOR SHALL PROVIDE PORTALET

	DATE	REVISION	VERIFIED BY	RECOMMENDING APPROVAL	APPROVED BY	SHEET NO.
	07 27 2023	1 12 2024	AR. RENEALDO B. MENDOZA JR. ROOM SERVICES OFFICER	ENGR. WILSON B. DELOS REYES OFFICER IN CHARGE	ENGR. WILSON B. DELOS REYES OFFICER IN CHARGE	6
TITLE <b>SUPPLY OF LABOR &amp; MATERIALS FOR THE REHABILITATION OF THE ROOF OF MEETING ROOM 1</b>	LOCATION <b>DELEGATION BUILDING</b>	DESIGNER <b>LOUIE JAY E GADON</b> ARCHITECT	CHECKED <b>ENGR. JESSON T. TORRES</b> ASSISTANT ENGINEER IN CHARGE	MR. ROBERTO A. GARCIA DEPUTY GENERAL MANAGER	<b>ANTY R. MORALES</b> GENERAL MANAGER	

*[Handwritten mark]*

*[Handwritten mark]*

*Section VIII. Bill of Quantities*

ITEM NO.	DESCRIPTION	QTY.	UNIT	UNIT DIRECT COST			ESTIMATED DIRECT COST	MARK-UPS		TOTAL MARK UP		TOTAL INDIRECT COST	TOTAL COST	UNIT COST
				LABOR	MATERIALS	EQUIPMENT		OCM %	PROFIT %	%	VALUE			
<b>Part A - GENERAL REQUIREMENTS</b>														
A.1	General Requirements													
A.1.1	Mobilization / Demobilization	1.00	lot											
A.1.2	Temporary Facilities	1.00	lot											
A.1.3	Health and Safety Requirements	1.00	lot											
<b>TOTAL PART A</b>														
<b>Part B - Architectural Works</b>														
B.1	Surface Preparation													
B.1.1	Removal of blistering existing spray foam insulation and levelling	1,513.17	sq.m											
B.2	Installation of PVC membrane at the Roof													
B.2.1	Treatment of corroded area by application of epoxy anti-corrosive primer	756.59	sq.m											
B.2.2	Installation of 0.15mm thick, polyethylene sheet	1,513.17	sq.m											
B.2.3	Installation of EPS Foam	1,513.17	sq.m											
B.2.3	Installation of fiber cement board on top of spray foam	1,513.17	sq.m											
B.2.3	Installation of fully adhered polyvinyl chloride (PVC) with manufacturer adhesive	1,513.17	sq.m											
B.2.4	a glass non-woven inlay and polyester fleece backing with manufacturer adhesive	1,513.17	sq.m											
B.2.5	Installation of fully adhered polyvinyl chloride (PVC) with manufacturer adhesive for gutter and all upstand	311.21	sq.m											
B.3	Site Clearing													
B.3.1	Housekeeping and hauling of debris outside PICC	1.00	lot											
<b>TOTAL PART B</b>														
<b>MASONRY WORKS</b>														
B.4	Replacement of Pebbles Washout on the roof of MR1													
B.4.1	Chipping of existing pebbles washout	4.36	sq.m											
	New pebbles washout	23.60	sq.m											
	Application of water repellent	23.60	sq.m											
	Hauling of debris	1.00	lot											
B.4.2	Cleaning, Repair of cracks and application of water repellent for the existing pebbles washout of the perimeter parapet wall of MR-1 roof													
	Cleaning of existing pebbles washout	463.83	sq.m											
	Application of water repellent	463.83	sq.m											
B.4.3	Cleaning, Repair of cracks and application of water repellent for the top of the existing pebbles washout of the parapet wall of Delegation roofdeck fronting Gate 4													
	Cleaning of existing pebbles washout	40.65	sq.m											
	Repair of cracks of existing pebbles washout	40.65	sq.m											
	Application of water repellent	40.65	sq.m											
<b>TOTAL PART D</b>														
C.1	Part C - Inspection during warranty period Inspection every 6 months for 15 years	1.00	lot											
<b>TOTAL PART C</b>														
<b>TOTAL A + B + C + D</b>														
<b>TOTAL REHABILITATION COST</b>														

Submitted by:

Signature over printed name

Date

*Section IX. Checklist of Technical and Financial Documents*

# Checklist of Technical and Financial Documents

## I. TECHNICAL COMPONENT ENVELOPE

### *Class "A" Documents*

#### Legal Documents

- (a) Valid PhilGEPS Registration Certificate (Platinum Membership) (all pages); in accordance with **Section 8.5.2 of the IRR**. If any of the documents in Annex "A" are expired, the updated document shall be submitted during post-qualification;

#### Technical Documents

- (b) Statement of the prospective bidder of all its ongoing government and private contracts, including contracts awarded but not yet started, if any, whether similar or not similar in nature and complexity to the contract to be bid (*Annex "A"*); **and**
- (c) Statement of the bidder's Single Largest Completed Contract (SLCC) similar to the contract to be bid, except under conditions provided under the rules (*Annex "B"*); **and**
- (d) Special PCAB License in case of Joint Ventures and registration for the type and cost of the contract to be bid; **and**
- (e) Original copy of Bid Security. If in the form of a Surety Bond, submit also a certification issued by the Insurance Commission **or** original copy of Notarized Bid Securing Declaration (*Annex "C"*); **and**
- (f) Section VI (Specifications) and Section VII (Drawings) signed on each and page by the authorized signatory; **and**
- (g) Original duly signed Omnibus Sworn Statement (OSS) (*Annex D*); **and** if applicable, Original Notarized Secretary's Certificate in case of a corporation, partnership, or cooperative; or Original Special Power of Attorney of all members of the joint venture giving full power and authority to its officer to sign the OSS and do acts to represent the Bidder.

#### Financial Documents

- (h) The prospective bidder's computation of Net Financial Contracting Capacity (*Annex "E"*) (NFCC)

### *Class "B" Documents*

- (i) If applicable, duly signed joint venture agreement (JVA) in accordance with RA No. 4566 and its IRR in case the joint venture is already in existence; **or** duly notarized statements from all the potential joint venture partners stating that they will enter into and abide by the provisions of the JVA in the instance that the bid is successful.



## II. FINANCIAL COMPONENT ENVELOPE

- (j) Original of duly signed and accomplished Financial Bid Form; **and**

*Other documentary requirements under RA No. 9184*

- (k) Original of duly signed Bid Prices in the Bill of Quantities (*Section VIII*)

ANNEX "B"

**SINGLE LARGEST COMPLETED CONTRACT**  
WHICH IS SIMILAR TO THE CONTRACT TO BE BID

Business Name: \_\_\_\_\_

Business Address: \_\_\_\_\_

Name of Contract	a. Owner' Name b. Address c. Telephone Nos.	Nature of Item/Service	a. Amount of Award b. Amount at Completion c. Duration	a. Date Awarded b. Contract Effectivity c. Date Completed

Note: This statement shall be supported with:

1. Contract
2. Certificate of Final Acceptance issued by the owner or the Constructors Performance Evaluation System (CPES)  
Final rating showing at least a "Satisfactory" rating.

Note: *The Single Largest Completed Contract shall be completed within the last five (5) years from the date of submission and receipt of bids, that is similar to the contract to be bid, the amount of which shall be at least fifty percent (50%) of the ABC.*

Submitted by: \_\_\_\_\_

(Printed Name & Signature)

Designation: \_\_\_\_\_

Date: \_\_\_\_\_



**BID SECURING DECLARATION FORM**

---

REPUBLIC OF THE PHILIPPINES)

CITY OF \_\_\_\_\_) S.S.

x-----x

**BID SECURING DECLARATION**

**Invitation to Bid:** *[Insert Reference number]*

To: *[Insert name and address of the Procuring Entity]*

I/We<sup>1</sup>, the undersigned, declare that:

1. I/We understand that, according to your conditions, bids must be supported by a Bid Security, which may be in the form of a Bid-Securing Declaration.
2. I/We accept that: (a) I/we will be automatically disqualified from bidding for any contract with any procuring entity for a period of two (2) years upon receipt of your Blacklisting order; and, (b) I/we will pay the applicable fine provided under Section 6 of the Guidelines on the Use of Bid Securing Declaration, within fifteen (15) days from receipt of the written demand by the procuring entity for the commission of acts resulting to the enforcement of the bid securing declaration under Sections 23.1(b), 34.2, 40.1 and 69.1, except 69.1(f), of the IRR of RA 9184; without prejudice to other legal action the government may undertake.
3. I/We understand that this Bid Securing Declaration shall cease to be valid on the following circumstances:
  - (a) Upon expiration of the bid validity period, or any extension thereof pursuant to your request;
  - (b) I am/we are declared ineligible or post-disqualified upon receipt of your notice to such effect, and (i) I/we failed to timely file a request for reconsideration or (ii) I/we filed a waiver to avail of said right;

---

<sup>1</sup> Select one and delete the other. Adopt the same instruction for similar terms throughout the document.

(c) I am/we are declared the bidder with the Lowest Calculated Responsive Bid, and I/we have furnished the performance security and signed the Contract.

IN WITNESS WHEREOF, I/We have hereunto set my/our hand/s this \_\_\_\_ day of [month] [year] at [place of execution].

[Insert NAME OF BIDDER'S AUTHORIZED  
REPRESENTATIVE]

[Insert Signatory's Legal Capacity]

Affiant

**SUBSCRIBED AND SWORN** to before me this \_\_\_\_ day of [month] [year] at [place of execution], Philippines. Affiant/s is/are personally known to me and was/were identified by me through competent evidence of identity as defined in the 2004 Rules on Notarial Practice (A.M. No. 02-8-13-SC). Affiant/s exhibited to me his/her [insert type of government identification card used], with his/her photograph and signature appearing thereon, with no. \_\_\_\_\_ and his/her Community Tax Certificate No. \_\_\_\_\_ issued on \_\_\_\_ at \_\_\_\_\_.

Witness my hand and seal this \_\_\_\_ day of [month] [year].

**NAME OF NOTARY PUBLIC**

Serial No. of Commission \_\_\_\_\_

Notary Public for \_\_\_\_\_ until \_\_\_\_\_

Roll of Attorneys No. \_\_\_\_\_

PTR No. \_\_\_\_\_ [date issued], [place issued]

IBP No. \_\_\_\_\_ [date issued], [place issued]

Doc. No. \_\_\_\_\_

Page No. \_\_\_\_\_

Book No. \_\_\_\_\_

Series of \_\_\_\_\_

***Omnibus Sworn Statement (Revised)***  
*[shall be submitted with the Bid]*

---

REPUBLIC OF THE PHILIPPINES )  
 CITY/MUNICIPALITY OF \_\_\_\_\_) S.S.

**AFFIDAVIT**

I, [Name of Affiant], of legal age, [Civil Status], [Nationality], and residing at [Address of Affiant], after having been duly sworn in accordance with law, do hereby depose and state that:

1. *[Select one, delete the other:]*

*[If a sole proprietorship:]* I am the sole proprietor or authorized representative of [Name of Bidder] with office address at [address of Bidder];

*[If a partnership, corporation, cooperative, or joint venture:]* I am the duly authorized and designated representative of [Name of Bidder] with office address at [address of Bidder];

2. *[Select one, delete the other:]*

*[If a sole proprietorship:]* As the owner and sole proprietor, or authorized representative of [Name of Bidder], I have full power and authority to do, execute and perform any and all acts necessary to participate, submit the bid, and to sign and execute the ensuing contract for [Name of the Project] of the [Name of the Procuring Entity], as shown in the attached duly notarized Special Power of Attorney;

*[If a partnership, corporation, cooperative, or joint venture:]* I am granted full power and authority to do, execute and perform any and all acts necessary to participate, submit the bid, and to sign and execute the ensuing contract for [Name of the Project] of the [Name of the Procuring Entity], as shown in the attached [state title of attached document showing proof of authorization (e.g., duly notarized Secretary's Certificate, Board/Partnership Resolution, or Special Power of Attorney, whichever is applicable)];

3. [Name of Bidder] is not "blacklisted" or barred from bidding by the Government of the Philippines or any of its agencies, offices, corporations, or Local Government Units, foreign government/foreign or international financing institution whose blacklisting rules have been recognized by the Government Procurement Policy Board, **by itself or by relation, membership, association, affiliation, or controlling interest with another blacklisted person or entity as defined and provided for in the Uniform Guidelines on Blacklisting;**

4. Each of the documents submitted in satisfaction of the bidding requirements is an authentic copy of the original, complete, and all statements and information provided therein are true and correct;
5. [Name of Bidder] is authorizing the Head of the Procuring Entity or its duly authorized representative(s) to verify all the documents submitted;
6. *[Select one, delete the rest:]*

*[If a sole proprietorship:]* The owner or sole proprietor is not related to the Head of the Procuring Entity, members of the Bids and Awards Committee (BAC), the Technical Working Group, and the BAC Secretariat, the head of the Project Management Office or the end-user unit, and the project consultants by consanguinity or affinity up to the third civil degree;

*[If a partnership or cooperative:]* None of the officers and members of [Name of Bidder] is related to the Head of the Procuring Entity, members of the Bids and Awards Committee (BAC), the Technical Working Group, and the BAC Secretariat, the head of the Project Management Office or the end-user unit, and the project consultants by consanguinity or affinity up to the third civil degree;

*[If a corporation or joint venture:]* None of the officers, directors, and controlling stockholders of [Name of Bidder] is related to the Head of the Procuring Entity, members of the Bids and Awards Committee (BAC), the Technical Working Group, and the BAC Secretariat, the head of the Project Management Office or the end-user unit, and the project consultants by consanguinity or affinity up to the third civil degree;

7. [Name of Bidder] complies with existing labor laws and standards; and
8. [Name of Bidder] is aware of and has undertaken the responsibilities as a Bidder in compliance with the Philippine Bidding Documents, which includes:
  - a. Carefully examining all of the Bidding Documents;
  - b. Acknowledging all conditions, local or otherwise, affecting the implementation of the Contract;
  - c. Making an estimate of the facilities available and needed for the contract to be bid, if any; and
  - d. Inquiring or securing Supplemental/Bid Bulletin(s) issued for the [Name of the Project].
9. [Name of Bidder] did not give or pay directly or indirectly, any commission, amount, fee, or any form of consideration, pecuniary or otherwise, to any person or official, personnel or representative of the government in relation to any procurement project or activity.

**10. In case advance payment was made or given, failure to perform or deliver any of the obligations and undertakings in the contract shall be sufficient grounds to constitute criminal liability for Swindling (Estafa) or the commission of fraud with unfaithfulness or abuse of confidence through misappropriating or converting any payment received by a person or entity under an obligation involving the duty to deliver certain goods or services, to the prejudice of the public and the government of the Philippines pursuant to Article 315 of Act No. 3815 s. 1930, as amended, or the Revised Penal Code.**

IN WITNESS WHEREOF, I have hereunto set my hand this\_\_day of\_\_\_\_, 20\_\_at  
\_\_\_\_\_, Philippines.

*[Insert NAME OF BIDDER OR ITS AUTHORIZED REPRESENTATIVE]*

*[Insert signatory's legal capacity]*

Affiant

**[Jurat]**

*[Format shall be based on the latest Rules on Notarial Practice]*



## PHILIPPINE INTERNATIONAL CONVENTION CENTER

Name of the Project: **SUPPLY OF LABOR AND MATERIALS FOR THE REHABILITATION OF THE ROOF OF MEETING ROOM 1**

## FINANCIAL DOCUMENTS FOR ELIGIBILITY CHECK

- A. Summary of the Applicant Supplier's/Distributor's/Manufacturer's assets and liabilities on the basis of the attached Income Tax Return and Audited Financial Statement, stamped "RECEIVED" by the Bureau of Internal Revenue or BIR authorized collecting agent, for the immediately preceding year and a certified copy of Schedule of Fixed Assets particularly the list of construction equipment.

		Year 20
1.	Total Assets	
2.	Current Assets	
3.	Total Liabilities	
4.	Current Liabilities	
5.	Net Worth (1-3)	
6.	Net Working Capital (2-4)	
7.	Value of all outstanding or uncompleted portions of the project under ongoing contracts, including awarded contracts yet to be started coinciding with contract to be bid.	

- B. The Net Financial Contracting Capacity (NFCC) based on the above data is computed as follows:

NFCC = [(Current assets minus current liabilities) (15)] minus value of all outstanding or uncompleted portions of the project under ongoing contracts, including awarded contracts yet to be started coinciding with contract to be bid.

NFCC = P \_\_\_\_\_

The values of the bidder's current assets and current liabilities shall be based on the data submitted to the BIR.

or

A committed Line of Credit, in an amount to at least ten percent (10%) of the ABC, issued by a Universal of Commercial Bank.

Submitted by:

\_\_\_\_\_  
Name of Supplier / Distributor / Manufacturer

\_\_\_\_\_  
Signature of Authorized Representative

Date: \_\_\_\_\_

Note:

1. If Partnership or Joint Venture, each Partner or Member Firm of Joint Venture shall submit the above requirements.

## BID FORM

Date: \_\_\_\_\_

Project Identification No: \_\_\_\_\_

To: *[name and address of Procuring Entity]*

Having examined the Philippine Bidding Documents (PBDs) including the Supplemental or Bid Bulletin Numbers *[insert numbers]*, the receipt of which is hereby duly acknowledged, we, the undersigned, declare that:

- a. We have no reservation to the PBDs, including the Supplemental or Bid Bulletins, for the Procurement Project: Supply of Labor and Materials for the Rehabilitation of the Roof of Meeting Room I.
- b. We offer to execute the Works for this Contract in accordance with the PBDs;
- c. The total price of our Bid in words and figures, excluding any discounts offered below is:  
\_\_\_\_\_
- d. The discounts offered and the methodology for their application are: *[insert information]*;
- e. The total bid price includes the cost of all taxes, such as, but not limited to: *[specify the applicable taxes, e.g. (i) value added tax (VAT), (ii) income tax, (iii) local taxes, and (iv) other fiscal levies and duties]*, which are itemized herein and reflected in the detailed estimates,
- f. Our Bid shall be valid within the a period stated in the PBDs, and it shall remain binding upon us at any time before the expiration of that period;
- g. If our Bid is accepted, we commit to obtain a Performance Security in the amount of *[insert percentage amount]* percent of the Contract Price for the due performance of the Contract, or a Performance Securing Declaration in lieu of the allowable forms of Performance Security, subject to the terms and conditions of issued GPPB guidelines<sup>12</sup> for this purpose;
- h. We are not participating, as Bidders, in more than one Bid in this bidding process, other than alternative offers in accordance with the Bidding Documents;
- i. We understand that this Bid, together with your written acceptance thereof included in your notification of award, shall constitute a binding contract between us, until a formal Contract is prepared and executed; and
- j. We understand that you are not bound to accept the Lowest Calculated Bid or any other Bid that you may receive.
- k. We likewise certify/confirm that the undersigned, is the duly authorized representative of the bidder, and granted full power and authority to do, execute

<sup>12</sup> currently based on GPPB Resolution No. 09-2020

and perform any and all acts necessary to participate, submit the bid, and to sign and execute the ensuing contract for the [Name of Project] of the [Name of the Procuring Entity].

- I. We acknowledge that failure to sign each and every page of this Bid Form, including the Bill of Quantities, shall be a ground for the rejection of our bid.

Name: \_\_\_\_\_

Legal Capacity: \_\_\_\_\_

Signature: \_\_\_\_\_ Duly

authorized to sign the Bid for and behalf of: \_\_\_\_\_

Date: \_\_\_\_\_