

**SUPPLEMENTAL BID BULLETIN**

**Republic of the Philippines  
PHILIPPINE INTERNATIONAL CONVENTION CENTER  
PICC Complex, 1307 Pasay City  
BIDS AND AWARDS COMMITTEE (BAC)**

April 23, 2024

**SUPPLY AND DELIVERY OF VARIOUS HARDWARE, SUPPLIES, PARTS  
AND MATERIALS**

**ADDENDUM NO. 01**

This Addendum is issued to amend/revise certain provisions of the Bid Documents for the above-captioned procurement. Said amendments are as follows:

I. Section I- Invitation to Bid has been revised to read as follows:

- Item No. 7- Bids must be duly received by the BAC Secretariat through manual submission at the office address indicated below, on or before **May 13, 2024 at 10:30 a.m.** Late bids shall not be accepted.
- Item No. 9- Bid opening shall be on **May 13, 2024, at 11:00 a.m.** at the given address below. Bids will be opened in the presence of the bidders' representatives who choose to attend the activity.

**The abovementioned revisions shall also be reflected in ITB Clauses 16.1 and 17.1.**

II. Section V- Special Conditions of the Contract have been revised to read as follows:

- GCC Clause 2.2- Payment
  - Full payment upon complete delivery and submission of the required documents. **Payment for Lot I, Items 1-10 and 13-27 shall be processed after delivery, while item 11 & 12 shall be processed separately after delivery.**

III. Section VI- Schedule of Requirements have been changed to read as:

- **Lot I – SUPPLY AND DELIVERY OF CARPENTRY MATERIALS**
  - Full delivery within thirty (30) calendar days from receipt of Notice to Proceed **except for items 22 & 23. Item 22 & 23 shall be delivered within one hundred twenty (120) calendar days from receipt of Notice to Proceed.**

IV. Section VII- Technical Specifications have been changed to read as:

Item no.	Qty.	Unit	Specification
LOT I – CARPENTRY MATERIALS			
11	14	Pcs	Panic Device – Dorma; PHB 3000 <b>(Non-Fire Rated)</b>
12	8	Pcs	Vertical Rod Exit Device – Dorma; <b>(Non-Fire Rated)</b>
LOT IV – PLUMBING MATERIALS			
10	15	Set	Single Lever Lavatory Faucet - Grohe <b>Series: Bauflow</b> <b>Model: 32810000</b> <b>Item Number: 15710000003</b> <b>Finish: Glossy</b>
LOT V – METAL MATERIALS			
27	50	Pcs	Pre-painted Corrugated roof 0.60mm x 4' x 12', <b>Color: Beige</b>
LOT VI- PARTS AND TOOLS			
26	2	<b>pcs</b>	Power Hacksaw Blade 2" x 24"

- *Together with this bid bulletin are the photos of the items requested during the pre-bid conference.*

The corrected copies are attached. Bidders are advised to replace their original copies with the corrected copies.

For guidance and information of all concerned.

  
**MELPIN A. GONZAGA**  
 Chairman

Received by:

\_\_\_\_\_  
 (Signature over printed name)  
 Telephone/Fax No. \_\_\_\_\_  
 Date: \_\_\_\_\_  
 Name of Company: \_\_\_\_\_

4. Prospective Bidders may obtain further information from the *PICC-BAC* and inspect the Bidding Documents at the address given below during office hours.
5. A complete set of Bidding Documents may be acquired by prospective bidders on April 3, 2024, from the given address and website(s) below and upon payment of a non-refundable fee in the amounts of:

<b>LOT I</b>	<b>SUPPLY AND DELIVERY OF CARPENTRY</b>	<b>Php3,000.00</b>
<b>LOT II</b>	<b>SUPPLY AND DELIVERY OF MASONRY MATERIALS</b>	<b>Php2,000.00</b>
<b>LOT III</b>	<b>SUPPLY AND DELIVERY OF PAINTING &amp; VARNISHING MATERIALS</b>	<b>Php2,000.00</b>
<b>LOT IV</b>	<b>SUPPLY AND DELIVERY OF PLUMBING MATERIALS</b>	<b>Php2,000.00</b>
<b>LOT V</b>	<b>SUPPLY AND DELIVERY OF METAL MATERIALS</b>	<b>Php400.00</b>
<b>LOT VI</b>	<b>SUPPLY AND DELIVERY OF PARTS AND TOOLS</b>	<b>Php400.00</b>
<b>LOT VII</b>	<b>SUPPLY AND DELIVERY OF POWER TOOLS AND EQUIPMENT</b>	<b>Php800.00</b>

A bidder shall present its proof of payment for the fees *by furnishing the PICC-BAC a copy of the Official Receipt.*

6. The *PICC-BAC* will hold a Pre-Bid Conference on April 15, 2024 at 10:00 a.m. *at Function Room B, 2<sup>nd</sup> Floor, Secretariat Building, PICC* and/or through videoconferencing/webcasting *via Zoom/Google Meet*, which shall be open to prospective bidders.
7. Bids must be duly received by the BAC Secretariat through manual submission at the office address indicated below, on or before *May 13, 2024 at 10:30 a.m.* Late bids shall not be accepted.
8. All Bids must be accompanied by a bid security in any of the acceptable forms and in the amount stated in **ITB** Clause 14.
9. Bid opening shall be on *May 13, 2024, at 11:00 a.m.* at the given address below. Bids will be opened in the presence of the bidders' representatives who choose to attend the activity.
10. The *PICC* reserves the right to reject any and all bids, declare a failure of bidding, or not award the contract at any time prior to contract award in accordance with Sections 35.6 and 41 of the 2016 revised IRR of RA No. 9184, without thereby incurring any liability to the affected bidder or bidders.

	<p>For Lot IV</p> <ul style="list-style-type: none"> <li>a. In the amount of not less than ₱26,455.70, or Cash, cashier's/manager's check, bank draft/guarantee or irrevocable letter of credit;</li> <li>b. Surety Bond in the amount of not less than ₱66,139.25.</li> </ul> <p>For Lot V</p> <ul style="list-style-type: none"> <li>a. In the amount of not less than ₱4,785.76, or Cash, cashier's/manager's check, bank draft/guarantee or irrevocable letter of credit;</li> <li>b. Surety Bond in the amount of not less than ₱11,964.40.</li> </ul> <p>For Lot VI</p> <ul style="list-style-type: none"> <li>a. In the amount of not less than ₱2,812.47, or Cash, cashier's/manager's check, bank draft/guarantee or irrevocable letter of credit;</li> <li>b. Surety Bond in the amount of not less than ₱7,031.18.</li> </ul> <p>For Lot VII</p> <ul style="list-style-type: none"> <li>a. In the amount of not less than ₱12,899.00, or Cash, cashier's/manager's check, bank draft/guarantee or irrevocable letter of credit;</li> <li>b. Surety Bond in the amount of not less than ₱32,247.50.</li> </ul>
15	<p>Sealing and Marking of Bids</p> <p>Each Bidder shall submit the original and one (1) copy of the first and second components of its Bid.</p>
16.1	<p>The address for submission of bids is:</p> <p style="text-align: center;">PICC-Bids and Awards Committee (BAC) Secretariat Ground floor, Delegation Building PICC Complex, 1307 Pasay City</p> <p>The deadline for submission of bids is <i>May 13, 2024 at 10:30 a.m.</i></p>
17.1	<p>The place of bid</p> <p style="text-align: center;">BAC CONFERENCE ROOM MR10, 3<sup>rd</sup> Floor, Delegation Building PICC Complex, 1307 Pasay City</p> <p>The date and time of bid opening is <i>May 13, 2024 at 11:00 a.m.</i></p> <p>In case the Bids cannot be opened as scheduled due to justifiable reasons, the BAC shall take custody of the Bids submitted and the opening of Bids shall be at 2:00 p.m. of the next working day.</p>

## Special Conditions of Contract

GCC Clause									
1	The Procuring Entity is <i>The Philippine International Convention Center (PICC)</i>								
2.2	<p>Payment</p> <p style="text-align: center;">Full payment upon complete delivery and submission of the required documents. <i>Payment for Lot I, Items 1-10 and 13-37 shall be processed after delivery, while item 11 &amp; 12 shall be processed separately after delivery</i></p>								
3	<p>Performance Security</p> <p>Within ten (10) calendar days from receipt of the Notice of Award, but in no case later than the signing of the contract by both parties, the successful Bidder shall furnish the performance security in any of the following forms:</p> <table border="1" style="width: 100%; border-collapse: collapse;"> <thead> <tr> <th style="text-align: center;">Form of Performance Security</th> <th style="text-align: center;">Amount of Performance Security (Equal to Percentage of the Total Contract Price)</th> </tr> </thead> <tbody> <tr> <td>Cash or Cashier's/Manager's Check issued by a Universal or Commercial Bank.</td> <td style="text-align: center;">Five percent (5%)</td> </tr> <tr> <td>Bank draft/guarantee issued by a Universal or Commercial Bank</td> <td style="text-align: center;">Five percent (5%)</td> </tr> <tr> <td>Surety bond callable upon demand issued by a surety or insurance company duly certified by the Insurance Commission as authorized to issue such security.</td> <td style="text-align: center;">Thirty percent (30%)</td> </tr> </tbody> </table> <p>The successful bidder may also opt to submit a performance securing declaration provided that it shall require to submit any of the aforementioned forms of performance security prior to issuance of the Notice to Proceed</p>	Form of Performance Security	Amount of Performance Security (Equal to Percentage of the Total Contract Price)	Cash or Cashier's/Manager's Check issued by a Universal or Commercial Bank.	Five percent (5%)	Bank draft/guarantee issued by a Universal or Commercial Bank	Five percent (5%)	Surety bond callable upon demand issued by a surety or insurance company duly certified by the Insurance Commission as authorized to issue such security.	Thirty percent (30%)
Form of Performance Security	Amount of Performance Security (Equal to Percentage of the Total Contract Price)								
Cash or Cashier's/Manager's Check issued by a Universal or Commercial Bank.	Five percent (5%)								
Bank draft/guarantee issued by a Universal or Commercial Bank	Five percent (5%)								
Surety bond callable upon demand issued by a surety or insurance company duly certified by the Insurance Commission as authorized to issue such security.	Thirty percent (30%)								
4	<p>Inspection and Tests</p> <p style="text-align: center;">PICC may reject any materials that do not conform to the specifications. The Contractor shall replace such materials to meet the specifications at no cost to PICC.</p>								
5	<p>Warranty period</p> <ul style="list-style-type: none"> <li>• The Warranty period shall be as follows:              Lots I, II, III, IV, V and VI – sixty (60) days              Lot VII – one (1) year</li> </ul>								

## *Section VI. Schedule of Requirements*

The delivery schedule expressed as weeks/months stipulates hereafter a delivery date which is the date of delivery to the project site.

Item Number	Description	Delivered, Weeks/Months
LOT I	SUPPLY AND DELIVERY OF CARPENTRY	Full delivery within thirty (30) calendar days from receipt of Notice to Proceed <i>except for items 22 &amp; 23 shall be delivered within one hundred twenty (120) calendar days from receipt of Notice to Proceed.</i>
LOT II	SUPPLY AND DELIVERY OF MASONRY MATERIALS	Full delivery within thirty (30) calendar days from receipt of Notice to Proceed
LOT III	SUPPLY AND DELIVERY OF PAINTING & VARNISHING MATERIALS	Full delivery within thirty (30) calendar days from receipt of Notice to Proceed
LOT IV	SUPPLY AND DELIVERY OF PLUMBING MATERIALS	Full delivery within thirty (30) calendar days from receipt of Notice to Proceed
LOT V	SUPPLY AND DELIVERY OF METAL MATERIALS	Full delivery within thirty (30) calendar days from receipt of Notice to Proceed
LOT VI	SUPPLY AND DELIVERY OF PARTS AND TOOLS	Full delivery within thirty (30) calendar days from receipt of Notice to Proceed
LOT VII	SUPPLY AND DELIVERY OF POWER TOOLS AND EQUIPMENT	Full delivery within sixty (60) calendar days from receipt of Notice to Proceed

I hereby commit to comply and deliver all the above requirements in accordance with the above stated schedule.

\_\_\_\_\_  
Name of Company / Bidder

\_\_\_\_\_  
Signature over printed Name of Authorized Representative

\_\_\_\_\_  
Position

\_\_\_\_\_  
Date

# Technical Specifications

Item no.	Qty.	Unit	Specification	Statement of Compliance
<b>Lot I – CARPENTRY MATERIALS</b>				
1	100	pcs	Plywood 3/4" - ribbon grain 4' x 8'	
2	150	pcs	Plywood 1/4" - ribbon grain 4' x 8'	
3	50	pcs	Marine plywood 3/4" x 4' x 8'	
4	50	pcs	Marine plywood 1/4" x 4' x 8'	
5	50	pcs	Concealed hinge C2	
6	100	pcs	Concealed hinge C3	
7	50	pcs	Cabinet Handle, wooden, 45mm x 120mm, as per sample	
8	19	set	Lockset, for wood, Lever type	
			Antique brass finish	
			3" cover plate	
			Suitable for 30 to 70mm	
			Solid Steel chassis and latch, zinc plated for corrosion resistance	
			Exposed trim is zinc die-cast electroplated	
			Solid brass 5pin tumbler cylinder with 3 keys	
9	47	sets	Door Closer , with hold open, wooden doors	
			Door Capacity: 60-85kg	
			Max Width: 1100mm	
			Closing Speed control	
10	84	units	Kick Down, Door Stopper	
			Color: Brush Silver	
			Material: Zinc Alloy	
			Spring design holds the stop in the up position	
11	14	pcs	Panic Device - Dorma; PHB 3000 <i>(Non-Fire Rated)</i>	
			Material: Stainless Steel.	
			Usage/Application: Industrial	
			Finish Type: Satin	
			Door Width: <= 1300 mm	
			Max Door Leaf Weight: 200 kg.	
12	8	pcs	Vertical Rod Exit Device – Dorma, <i>(Non-Fire Rated)</i>	
			Compatible with panic device	
			Material: Stainless Steel.	
			Usage/Application: Industrial	
			Finish Type: Satin	
			Door Width: <= 1300 mm	
			Door Height : compatible to 2150mm door height	
			Max Door Leaf Weight: 200 kg.	

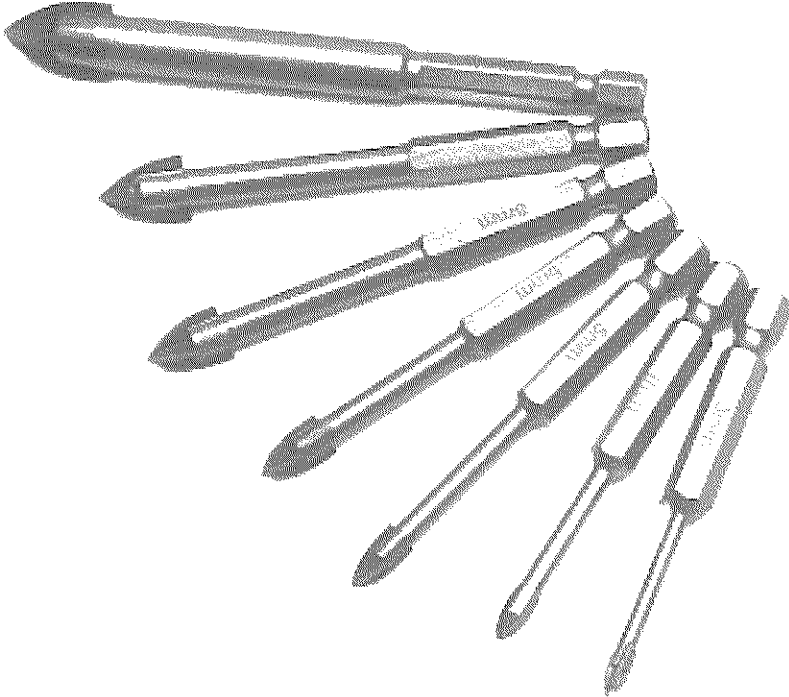
			Filtered O Ring by - Pass Piston
			Less Vacuum Breaker
			Chrome Plate Finish
8	40	set	Bidet, High pressure, Stainless steel type 304 , 1/2"
9	30	pcs	Brass, Spud washer 1-1/2"
10	15	set	Single Lever Lavatory Faucet - Grohe
			<b>Series: Bauflow</b>
			<b>Model: 32810000</b>
			<b>Item Number: 157100000003</b>
			<b>Finish: Glossy</b>
11	8	pcs	PVC Pipe 2" x 10' - Sanitary
12	8	pcs	PVC Pipe 3" x 10' - Sanitary
13	8	pcs	PVC Pipe 4" x 10' - Sanitary
14	5	pcs	PVC Elbow 2" x 90 deg. - Orange
15	5	pcs	PVC Elbow 3" x 90 deg. - Orange
16	5	pcs	PVC Elbow 4" x 90 deg. - Orange
17	5	pcs	PVC Elbow 2" x 45 deg. - Orange
18	5	pcs	PVC Elbow 3" x 45 deg. - Orange
19	5	pcs	PVC Elbow 4" x 45 deg. - Orange
20	5	pcs	PVC Wye 2" x 2" - Orange
21	5	pcs	PVC Wye 3" x 2" - Orange
22	5	pcs	PVC Wye 3" x 3" - Orange
23	5	pcs	PVC Wye 4" x 2" - Orange
24	5	pcs	PVC Wye 4" x 3" - Orange
25	5	pcs	PVC Wye 4" x 4" - Orange
26	10	pcs	PPR Pipe 1/2", PN20 x 4m
27	10	pcs	PPR Pipe 3/4", PN20 x 4m
28	10	pcs	PPR Pipe 1-1/2", PN20 x 4m
29	10	pcs	PPR Pipe 2", PN20 x 4m
30	5	pcs	PPR Elbow 1/2", 90 deg.
31	5	pcs	PPR Elbow 3/4", 90 deg.
32	5	pcs	PPR Elbow 1", 90 deg.
33	5	pcs	PPR Elbow 1-1/2", 90 deg.
34	5	pcs	PPR Elbow 2", 90 deg.
35	10	pcs	PPR Elbow 1/2", with thread, female
36	20	pcs	PPR Coupling 1-1/2"
37	10	pcs	PPR adapter female 1/2", with thread
38	10	pcs	PPR adapter female 3/4", with thread
39	5	pcs	PPR adapter female 1", with thread
40	5	pcs	PPR adapter female 1-1/2", with thread
41	5	pcs	PPR adapter female 2", with thread
42	20	can	Solvent PVC cement, 200cc
43	420	roll	Teflon tape 1/2" x 250"
44	320	roll	Teflon tape 3/4" x 250"
45	20	can	All around sealant , 1/4 liter per can
46	20	pcs	Silicone Gasket Maker, Grey, 85g
<b>LOT V – METAL MATERIALS</b>			
1	1	pcs	MS Plate 3mm x 4' x 8'



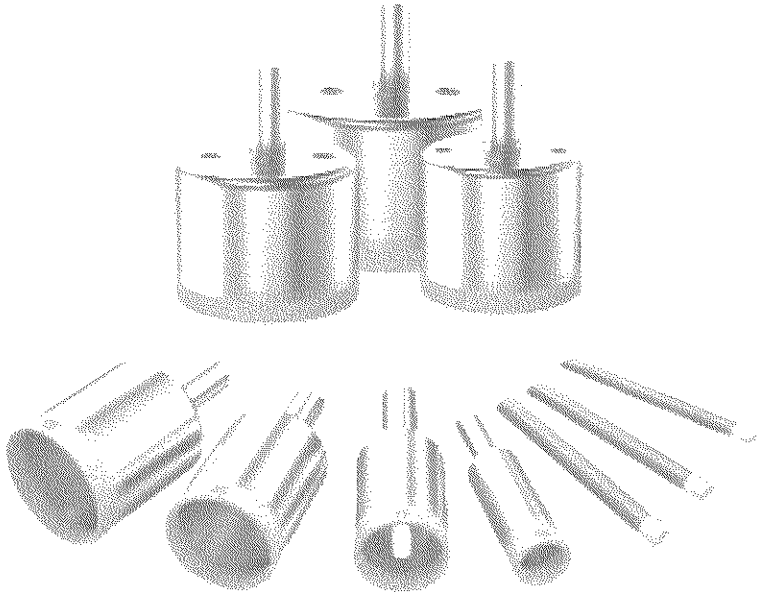
			compatible with Makita HM 1306
20	2	set	Router Bits SET 12PCS/SET 1/4" (6mm)
			Shank diameter: 6mm
			3pcs Straight bit:6mm,12mm,16mm
			1pc 1/2" 90°V-groove bit
			1pc 1/2" Dovetail bit
			1pc 32mm 45°Chamfer bit
			1pc 1/2" flush trim bits
			2pc Round over bit:1/4",3/8"
			1pc 1/4" Core box bit
			1pc 1/4" Core bit
			1pc R-4 Roman ogee bit
21	6	unit	24" F- Clamp,
			Quick Clamp, Quick Release Speed squeeze
			Clamp length: 600mm
			Clamping Depth: 60mm
22	2	set	2PCS/Set Tongue & Groove Router Bit 3/4"
23	2	set	Multi Tool Angle grinder conversion tool head
			for 100mmAngle grinder
			As per sample
24	4	pcs	Planer Blade - 110mm ( 4-3/8 ) for Makita model 1911B
25	1	roll	Plastic Chain, Yellow, 6mm x 25m
26	2	pcs	Power Hacksaw Blade 2" x 24"
27	3	pcs	Paint Tray, Plastic
<b>LOT VII – POWER TOOLS AND EQUIPMENT</b>			
1	1	unit	Random Orbital Sander
			Power: 240 W
			Pad Size: 125mm (5")
			Orbit per Minute: 12,000
			Weight: 1.1kg (2.4 lbs)
2	1	unit	Battery Operated Caulking Gun
			18V Li-on
			Max pushing force: 5,000 N (1,100lbs)
			No-load speed: 0-28mm/sec (0-66in/min.)
			5-speed dial
3	1	unit	Plunge Router (1/4"&1/2")
			Power: 1,650W
			Plunge capacity: 0-60mm
			Base Diameter: 160 x 148mm
			No-load speed: 22,000 rpm
4	12	unit	Map and Plan Steel Cabinets
			Gauge no. 22
			Net Weight : 139kgs
			2 rows with total 10 drawers
			Color: Beige
			Overall Dimensions : 38 7/8" height x 44 1/2" x 33" width
			Centralized lock with two (2) pcs keys
5	5	unit	Steel Storage Cabinet
			Gauge no. 24

**Lot II MASONRY MATERIALS**

Item no. 1-6. Ceramic/tile drill bit, diamond coated



Item no. 7-10. Hole Saw Core Bit for tiles

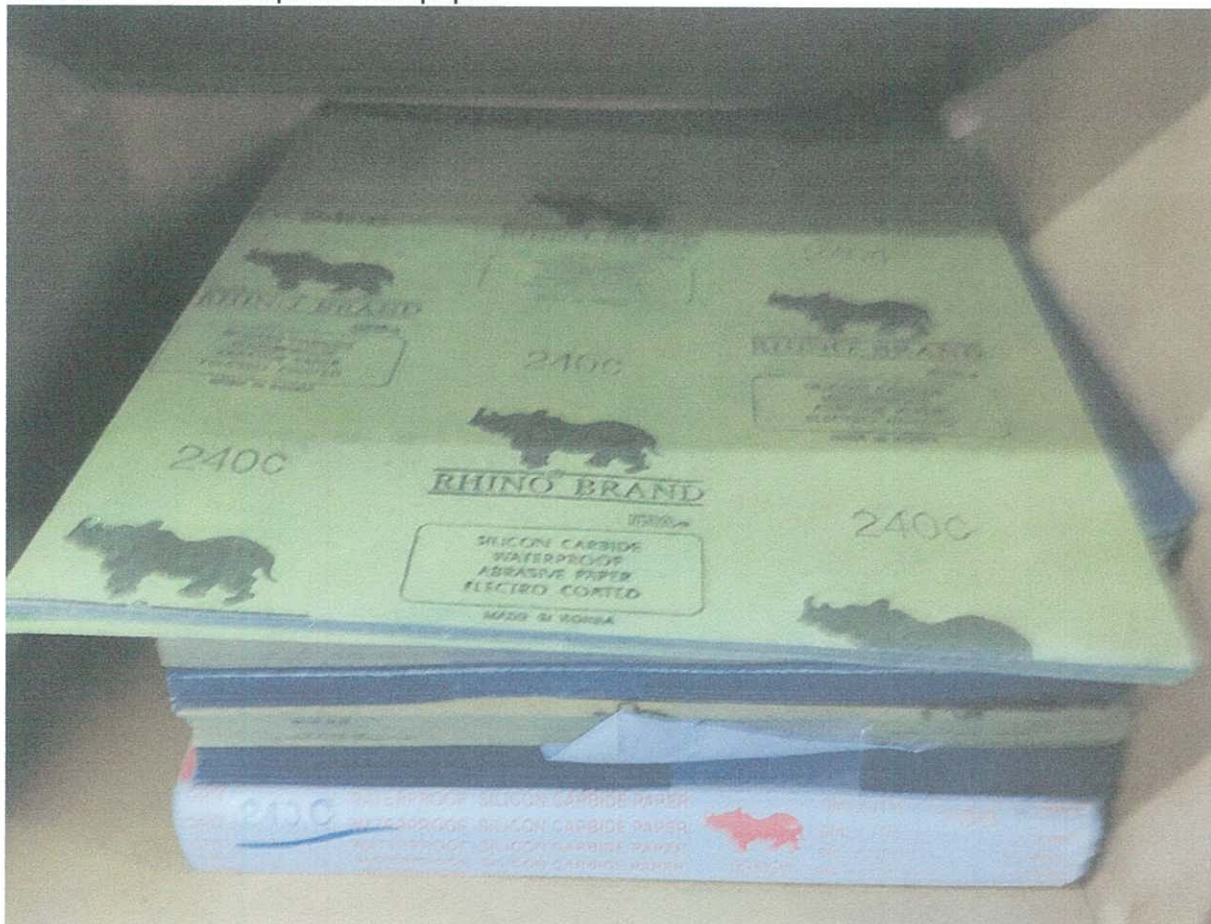


Item no. 11. Hole Saw Core bit for wood, 6" dia.



**LOT III – PAINTING AND VARNISHING MATERIALS**

Item no. 7-11. Waterproof Sandpaper



**Lot VI – Parts and Tools**

Item no. 23. – Multi Tool Angle grinder conversion tool head



Item no. 26. Power hacksaw blade 2" x 24"

